

Ultralux 400, Fluorescent **Coughtrie**

Custodial

Infrastructure

Our most robust and versatile bulkhead, available with a surface mounted (S) or semi-recessed base (R) and a variety of sensing options. Semi-recessed units can be supplied with a die-cast aluminium guard (RG), cowl (RC) or visor guard (RV).

Applications

- Cell Toilets and shower areas
- Stairwells
- Prison circulation areas
- Police stations
- Detention centres
- Schools
- Industrial
- Corridors
- Walkways



Features

- Die-cast aluminium base
- Clear or opal prismatic UV stabilised fire retardant polycarbonate diffuser
- SA770 low smoke low toxicity silicone elastomer
- IP65
- IK10++

Options

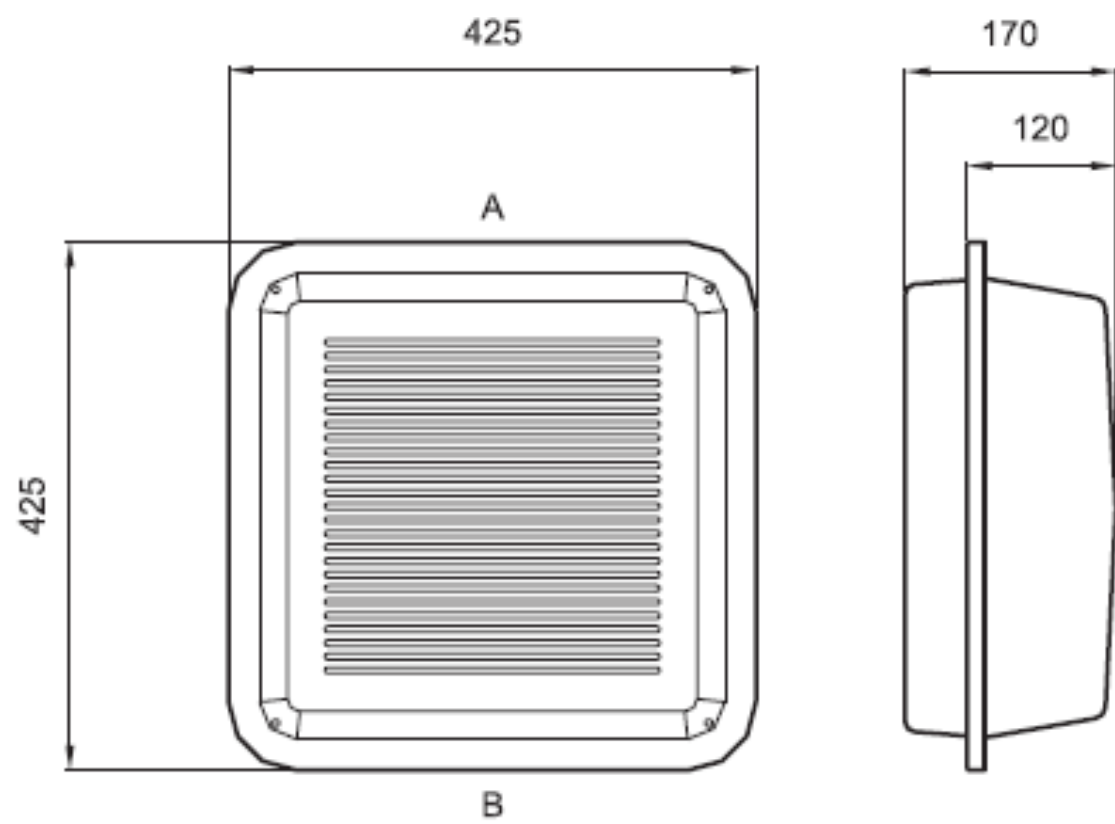
- Black, Grey or White
- Integrated 3hr emergency
- Microwave
- Dusk to Dawn
- Security screws included for added vandal resistance *

*Supplied in a separate bag. Security screwdriver WS7115 required.

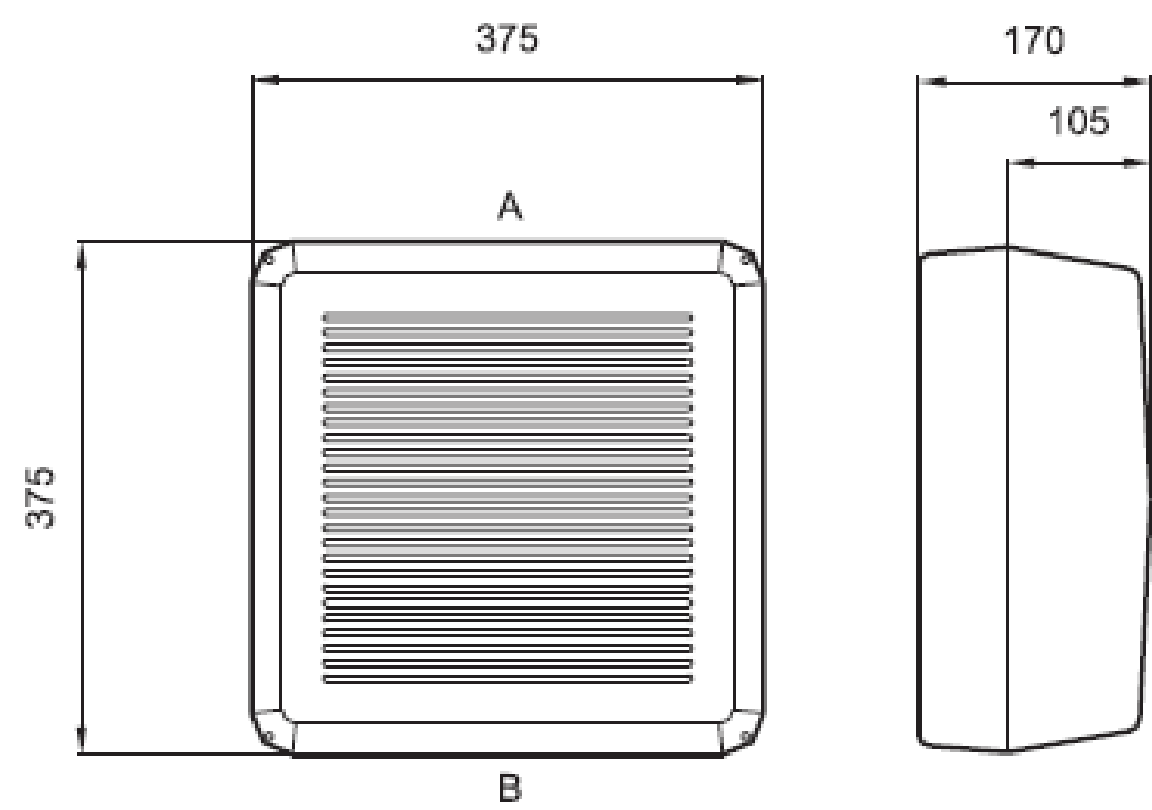
CE BS.EN60598-2-1 IP65

Ultralux 400, Fluorescent Coughtrie

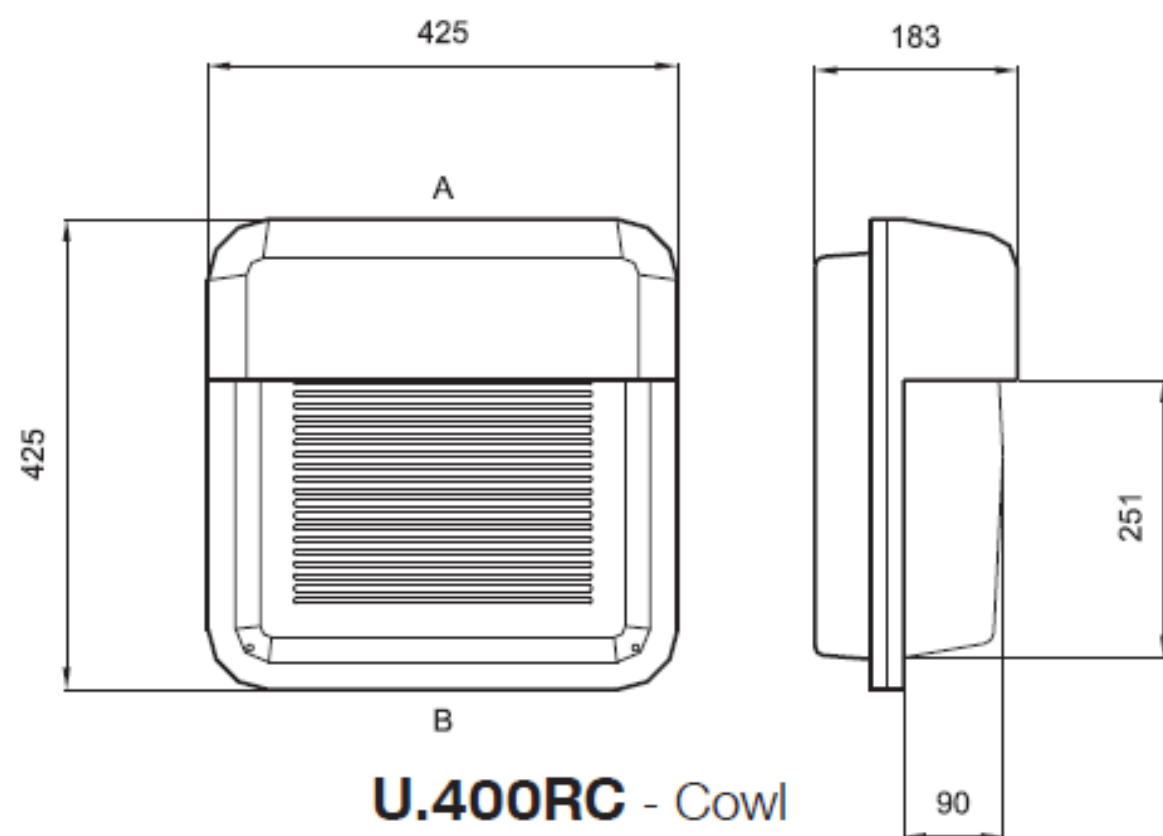
Dimensions (mm)



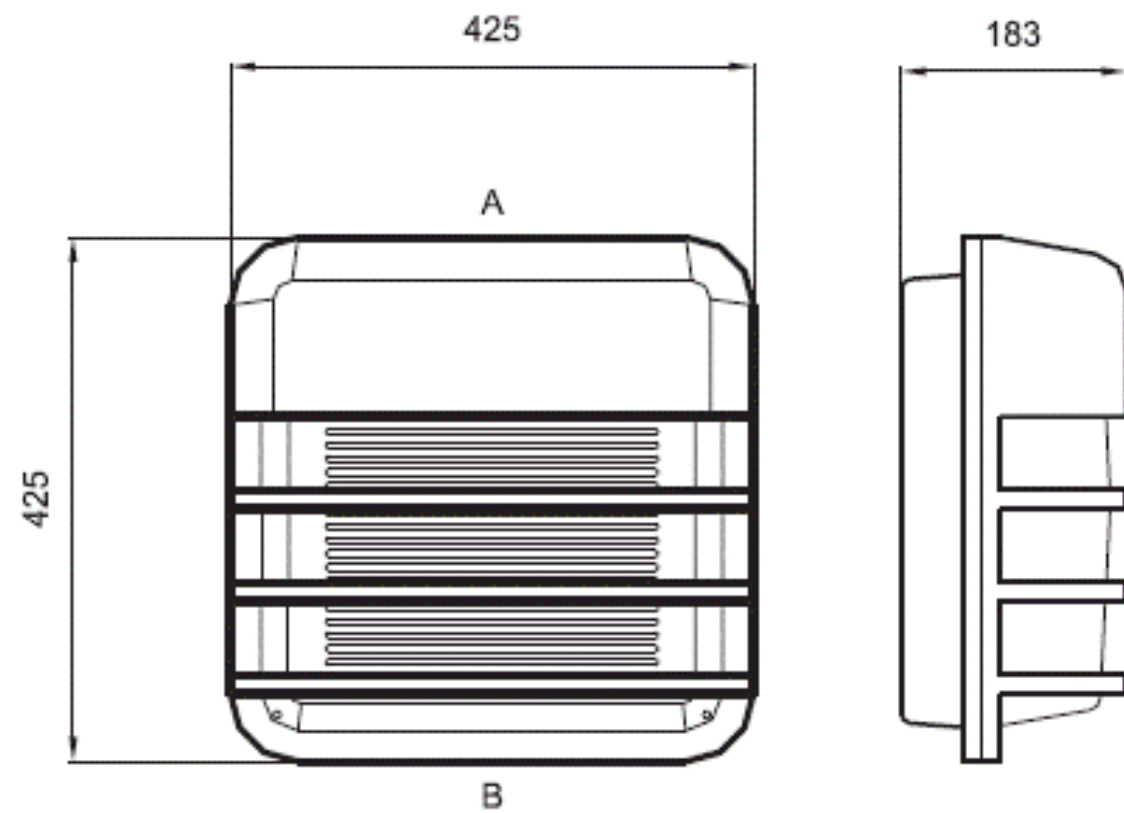
U.400R - Recessed



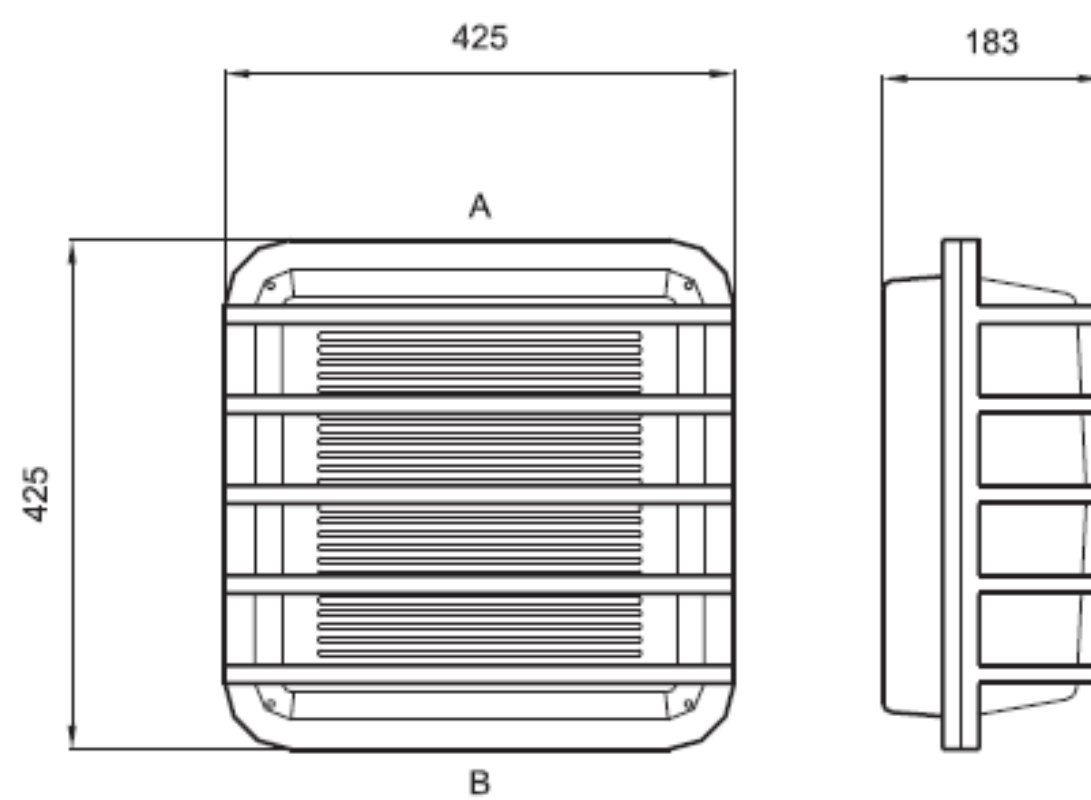
U.400S - Surface



U.400RC - Cowl



U.400RV - Visor Guard



U.400RG - Guard

CE BS.EN60598-2-1 IP65

Ultralux 400, Fluorescent Coughtrie

Lamp Types

28W 2D	U.400-28
38W 2D	U.400-38
2 x 36W	U.400-236

Sample Order Code

U.400S-28	+	EMG	+	MWD	/	W	/	OP
Luminaire		Emergency		Sensor		Finish		Diffuser
U.400		Emergency = EMG		Dusk to Dawn = DD Microwave = MWD		Black = B Grey = G White = W		Opal = OP Clear = CL

U.400S-28+EMG+MWD/W/OP = Surface Base 28W2D, Emergency, Microwave, White, Opal Diffuser

CE BS.EN60598-2-1 IP65