

Ultralux 400 57W LED

Coughtrie

Custodial

Infrastructure

Our most robust and versatile bulkhead, available with a surface mounted (S) or semi-recessed base (R) and a variety of sensing options. Semi-recessed units can be supplied with a die-cast aluminium guard (RG), cowl (RC) or visor guard (RV).

Applications

- Cell Toilets and shower areas
- Stairwells
- Prison circulation areas
- Police stations
- Detention centres
- Schools
- Industrial
- Corridors
- Walkways



Features

- Die-cast aluminium base
- Clear or opal prismatic UV stabilised fire retardant polycarbonate diffuser
- SA770 low smoke low toxicity silicone elastomer
- IP65
- IK10

Options

- Black, Grey or White
- Integrated 3hr emergency & optional self-test
- Digital Dimmable Ballast
- Microwave
- Dusk to Dawn
- Security screws included for added vandal resistance *

*Supplied in a separate bag. Security screwdriver WS7115 required.

CE BS.EN60598-2-1 IP65

Ultralux 400 57W LED Coughtrie

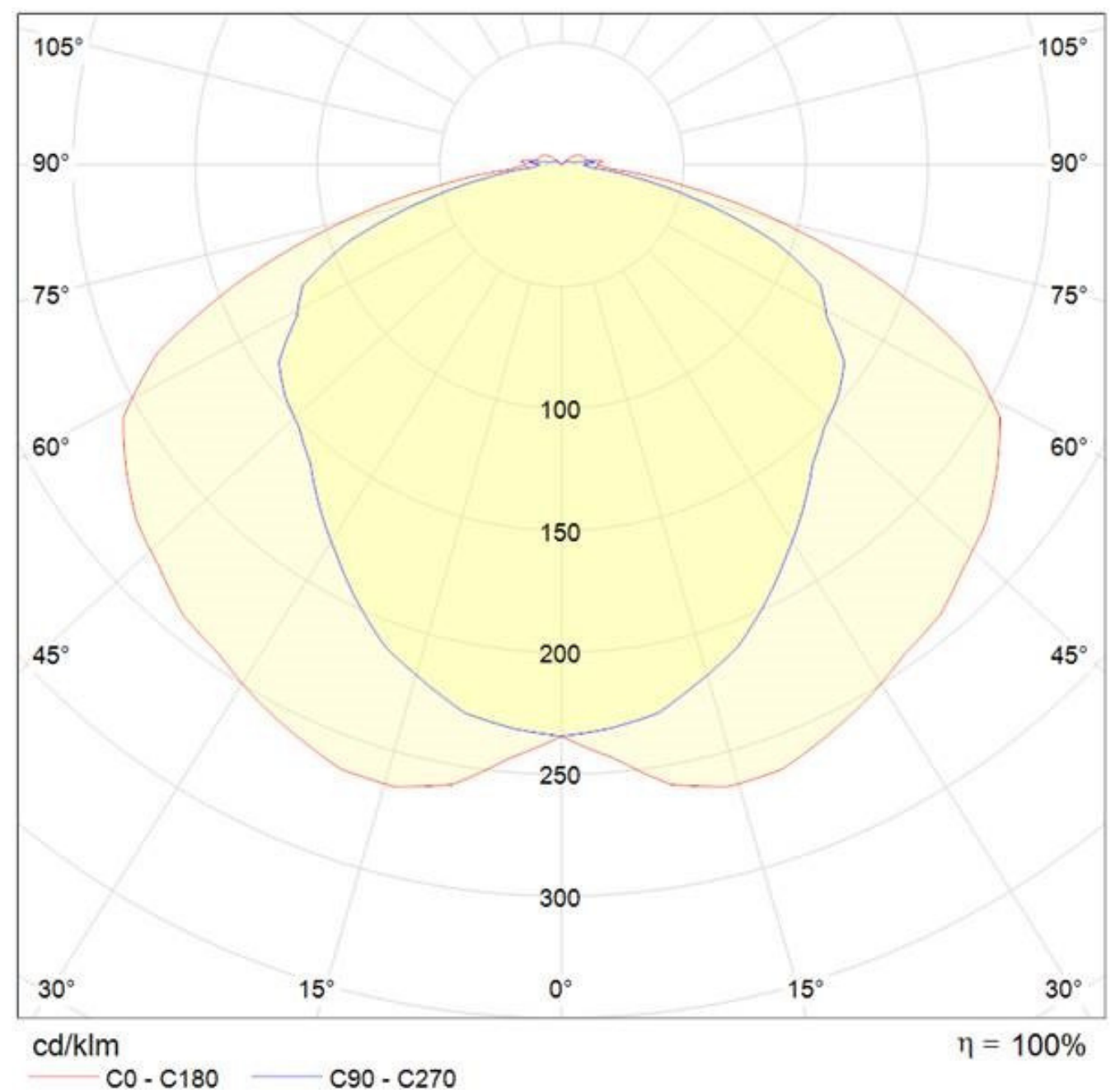
Technical Specifications

LUMINAIRE CHARACTERISTICS	
LEDs	Tridonic CLE G4
DRIVER	Constant current
WORKING TEMP	-25°C to 50°C
EMERGENCY WORKING TEMP	-5°C to 50°C
SYSTEM LUMENS	3050lm
EFFICACY	108.5lm/W
CRI	>80
CCT	4000K
LIFETIME	50,000hrs
IP RATING	IP65
IK RATING	IK10
ELECTRICAL CHARACTERISTICS	
POWER	28.1W
VOLTAGE	37.1 – 43.3V
CURRENT	700mA

Photometric Data

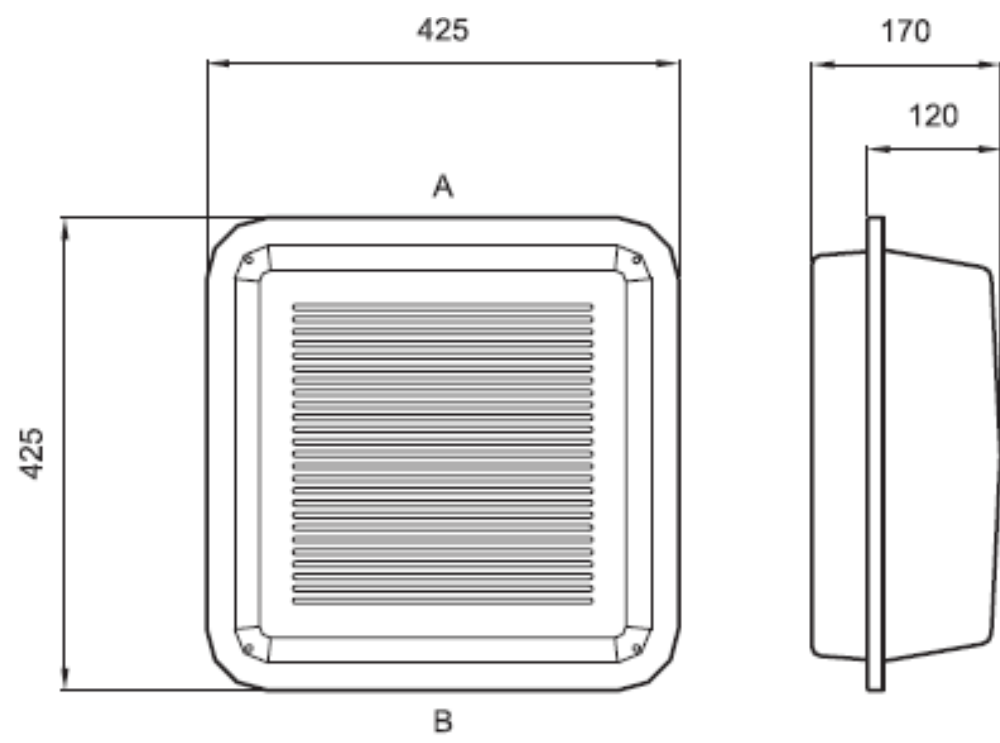
Distance [m]	Cone Diameter [m]	E(0°)	E(C90)	E(C0)	Illuminance [lx]
0.5	2.13 2.89	2860	110	57	
1.0	4.25 5.78	715	28	14	
1.5	6.38 8.66	318	12	6	
2.0	8.50 11.55	179	7	4	
2.5	10.63 14.44	114	4	2	
3.0	12.75 17.33	79	3	2	

Distance [m] Cone Diameter [m] Illuminance [lx]
 — C0 - C180 (Half value angle: 141.8°)
 — C90 - C270 (Half value angle: 129.6°)

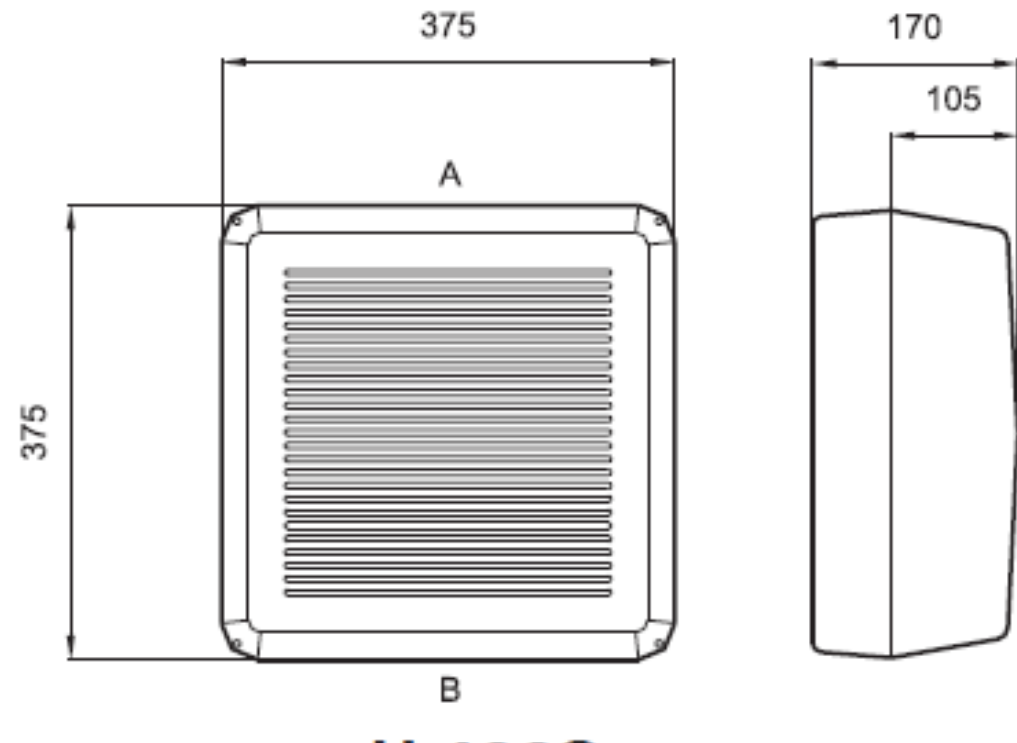


CE BS.EN60598-2-1 IP65

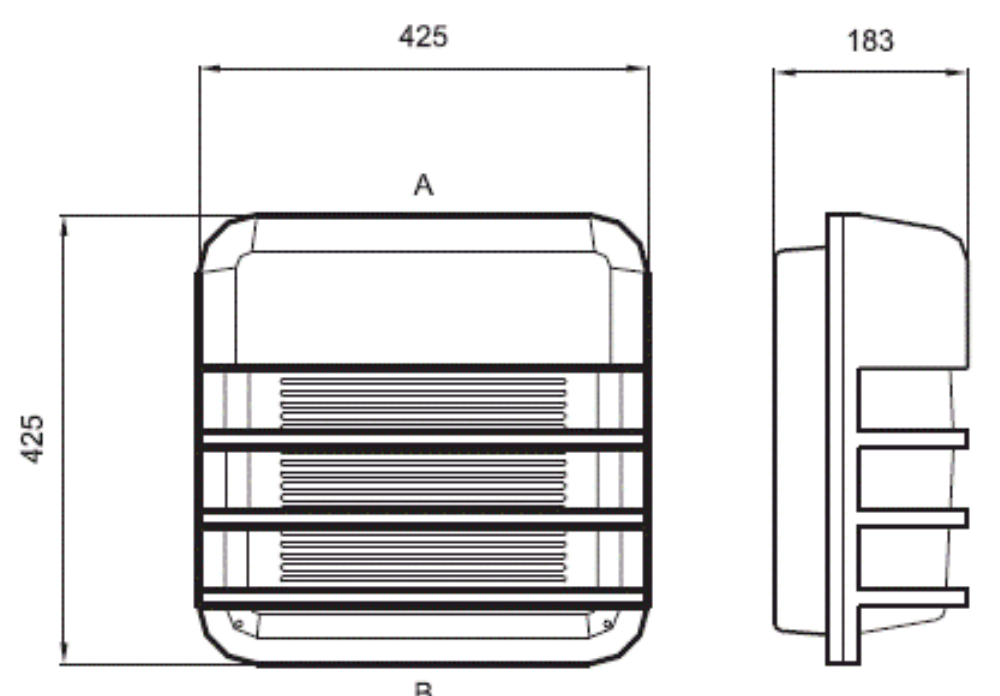
Dimensions (mm)



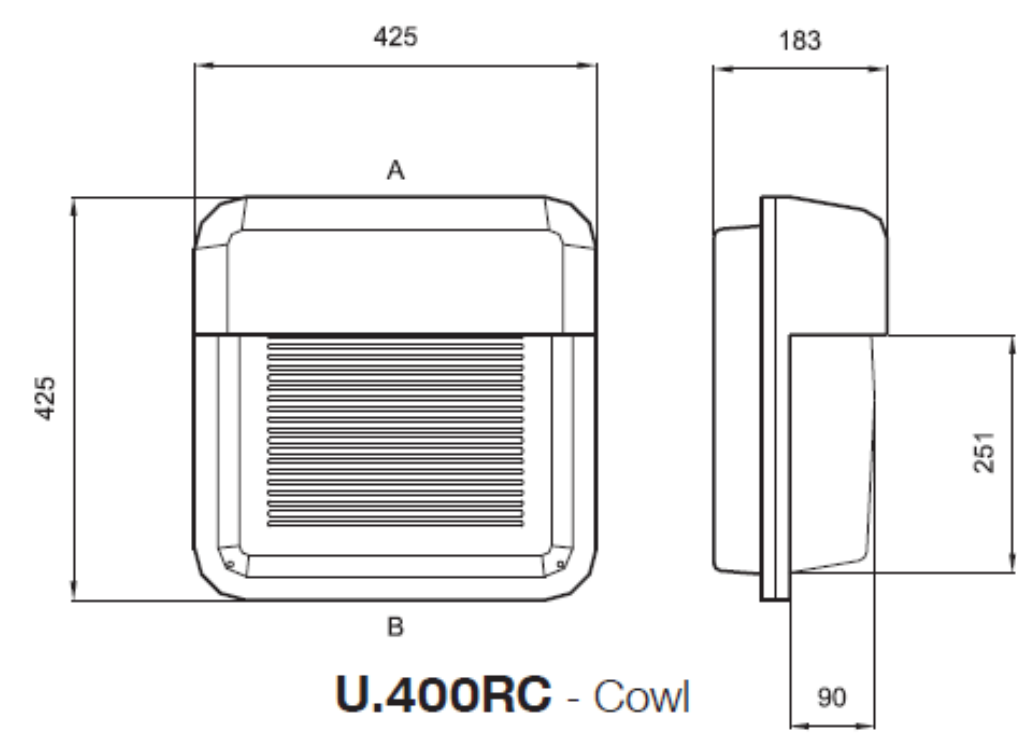
U.400R - Recessed



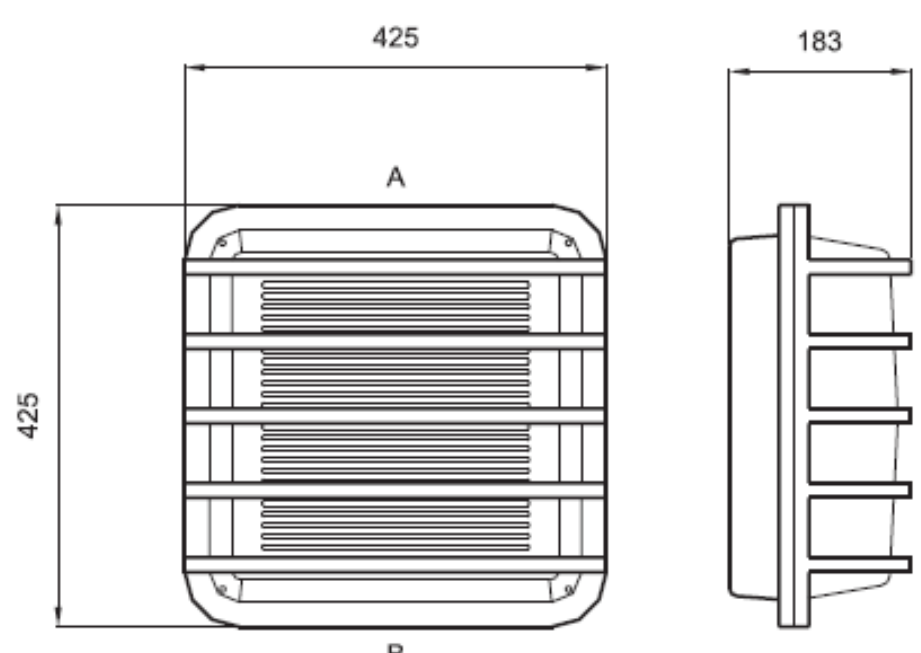
U.400S - Surface



U.400RV - Visor Guard



U.400RC - Cowl



U.400RG - Guard

Sample Order Code

U.400R-57LED +	EMG	+	DD	/	B	/	OP
Luminaire	Emergency		Sensor		Finish		Diffuser
U.400	Emergency = EMG		Dusk to Dawn = DD Corridor Function = CF CF+Daylight Monitoring = CFDM Microwave = MWD		Black = B Grey = G White = W		Opal = OP Clear = CL

U.400R-57LED+EMG+DD/B/OP = Recessed Base 57WLED, Emergency, Dusk to Dawn, Black, Opal Diffuser

