

SFB Large 10W LED

Coughtrie

Infrastructure

Social Housing

Our most popular and iconic bulkhead used in a wide ranging number of applications from stairwells to external perimeter lighting. When combined with any option of sensing technology, the SFB provides a one stop solution for areas requiring vandal resistant luminaires.

Applications

- General Social Housing installations
- Underpasses
- Car Parks
- Railway Stations
- Stairwells
- Schools
- Industrial and commercial properties
- Corridors



Features

- Die-cast aluminium base
- Clear or opal UV stabilised fire retardant polycarbonate diffuser. Diffuser screwed to case with stainless steel slotted and secret head captive screw option. The diffuser is also retained by nylon suspension straps to the main body of the luminaire, thus making installation easy.
- SA770 low smoke low toxicity silicone elastomer
- IP65
- IK10++

Options

- Black, Grey or White
- Integrated 3hr emergency & optional self-test
- Self-test module
- Dusk to Dawn
- Digital dimmable ballast
- Microwave
- Security screws included for added vandal resistance*

*Supplied in a separate bag. Security screwdriver WS7115 required.

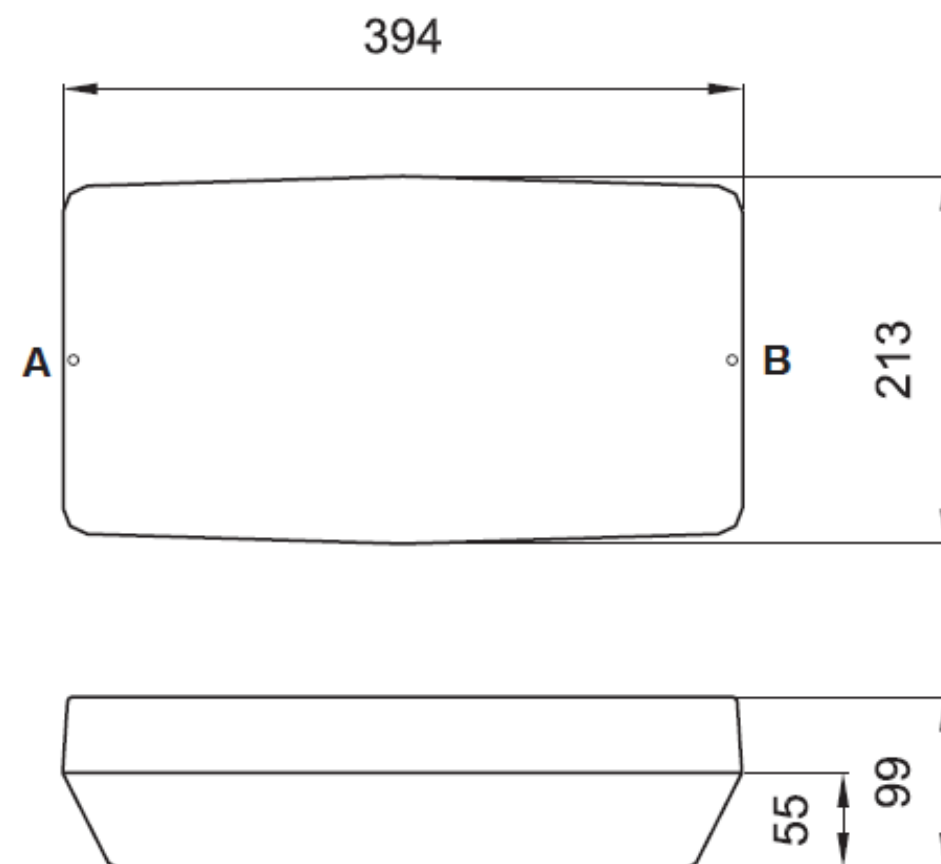
CE BS.EN60598-2-1 IP65

SFB Large 10W LED Coughtrie

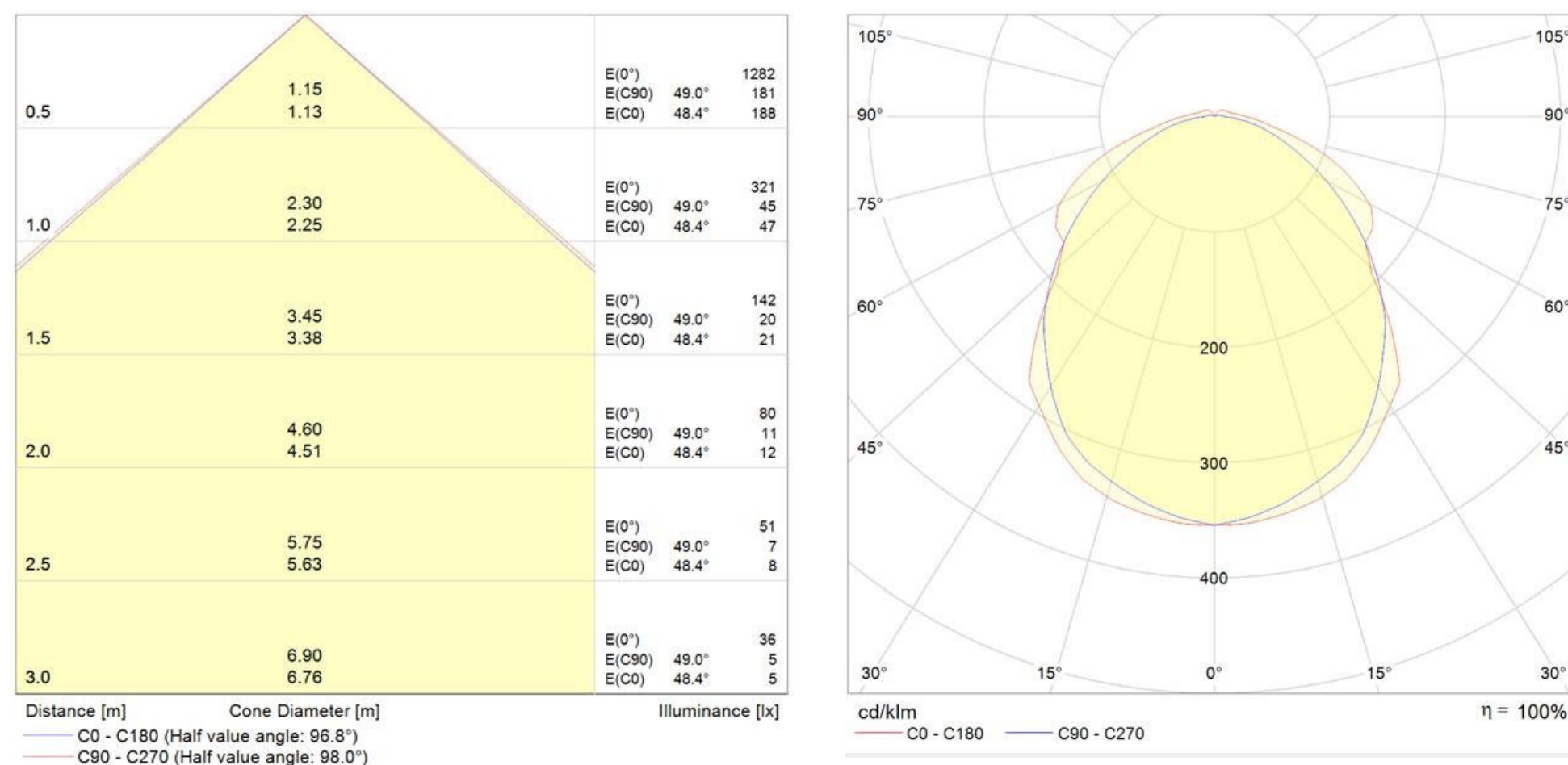
Technical Specifications

LUMINAIRE CHARACTERISTICS	
LEDs	Vossloh Schwabe G4
DRIVER	Constant current
WORKING TEMP	-25°C to 50°C
EMERGENCY WORKING TEMP	-5°C to 50°C
SYSTEM LUMENS	950lm
EFFICACY	118.8lm/W
CRI	>80
CCT	4000K
LIFETIME	50,000hrs
IP RATING	IP65
IK RATING	IK10++
ELECTRICAL CHARACTERISTICS	
POWER	8W
VOLTAGE	21.4 – 25.2V
CURRENT	350mA

Dimensions (mm)



Photometric Data



Sample Order Code

SFB.32-10LED +	EMG	+	DD	/	W	/	OP
Luminaire	Emergency		Sensor		Finish		Diffuser
SFB.32	Emergency = EMG		Dusk to Dawn = DD Corridor Function = CF CF+Daylight Monitoring = CFDM Microwave = MWD		Black = B Grey = G White = W		Opal = OP Clear = CL

SFB.32-10LED+EMG+DD/W/OP = 10WLED, Emergency, Dusk to Dawn, White, Opal Diffuser

