

PW-15

Heritage

A classic outdoor pendant light with applications ranging from country estates to police stations and cathedrals. The PW delivers classic design with modern era lighting.

Features

- Die-cast aluminium top, pre-treated and polyester powder coated
- 20mm threaded top entry and moulded nitrile sealing ring
- Clear or opal polycarbonate diffuser options
- IP53
- IK10

Options

- Antique Bronze, Black, Grey or White
- Any RAL colour POA
- Lamp (not included): Porcelain BC or ES

Application Images



Coughtrie



PW-15



White Corner Mounted



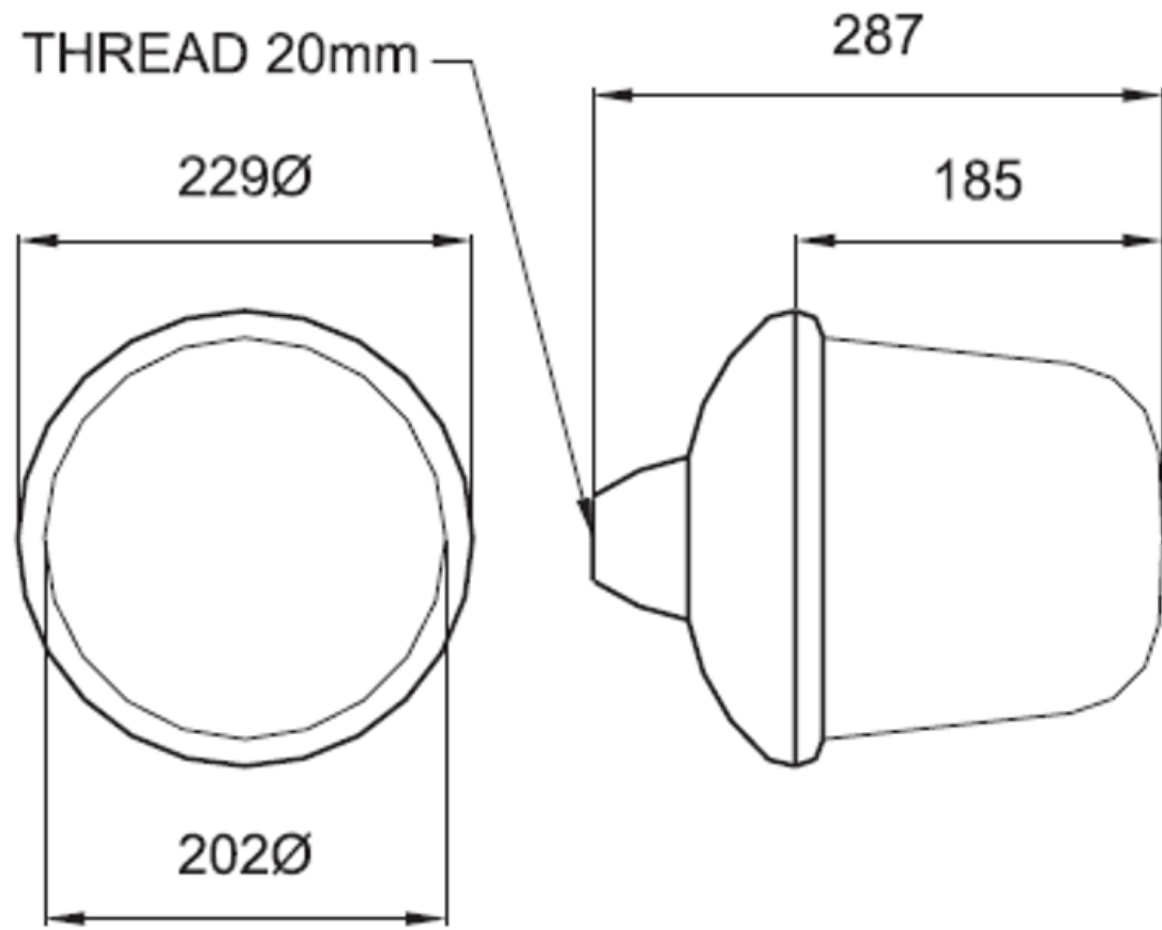
Black Wall Mounted



Grey Corner Mounted

CE BS.EN60598-2-1 IP65

Dimensions (mm)



Spares



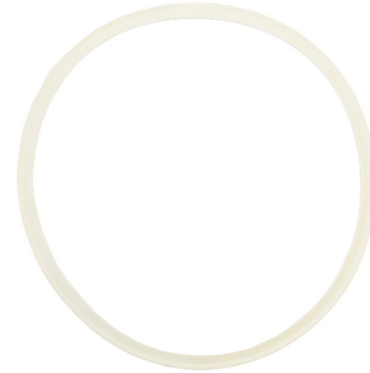
Wall Mount
C.417



Corner Bracket
L.2420



Swan Neck
V.4912



Gasket
E.950



Opal Diffuser
AD.227-PW/OP



Clear Diffuser
AD.227-PW/CL

Sample Order Code

PW-15	/	B	/	CL	/	BC	/	WALL KIT
Luminaire		Finish		Diffuser		Circuit		Kit
PW-15		Black = B Grey = G White = W Antique Bronze = BRONZE		Clear Glass = CL Frosted = FG		Bayonet Cap = BC E27 Edison Screw = ES		Wall Kit

PW-15/B/CL/BC/WALL KIT = Black, Clear Glass Diffuser, Bayonet Cap Lamp Holder, Wall Kit

