

Hexagon, Fluorescent

Coughtrie

Infrastructure

Social Housing

As one of the most memorable shapes in our Trio range, the Hexagon is often used to provide secure lighting in applications ranging from schools to social housing.

Applications

- Underpasses
- Stairwells
- Car Parks
- Railway stations
- Schools
- Corridors
- Industrial
- General Social Housing installations



Features

- Die-cast aluminium base
- Clear or opal UV stabilised fire retardant polycarbonate diffuser
- Diffuser secured to casing by stainless steel slotted screws with secret screw option
- SA770 low smoke low toxicity silicone elastomer
- IP65
- IK10++

Options

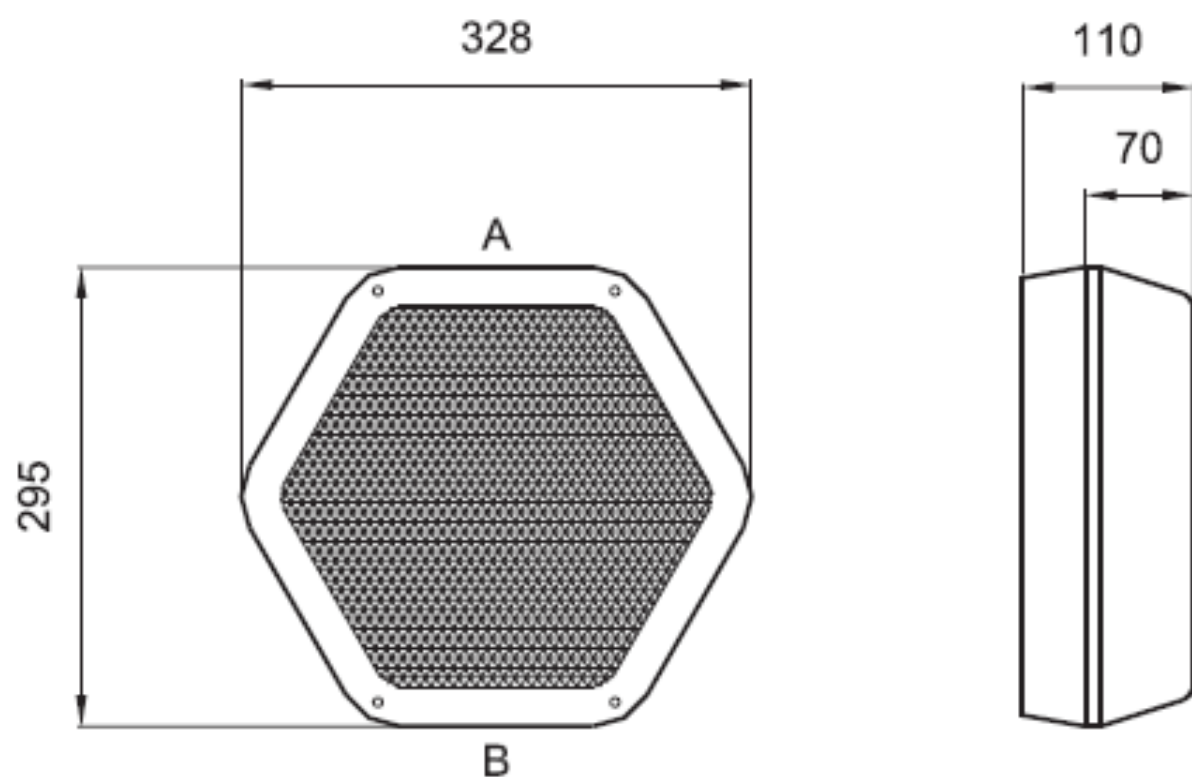
- Black, Grey or White
- Integrated 3hr emergency
- Microwave
- Dusk to Dawn
- Security screws included for added vandal resistance *

*Supplied in a separate bag. Security screwdriver WS7115 required.

CE BS.EN60598-2-1 IP65

Hexagon, Fluorescent Coughtrie

Dimensions (mm)



Lamp Types

28W 2D	HX.330-28
38W 2D	HX.330-38
55W 2D	HX.330-55
2x11W PL	HX.330-211
2x18W L	HX.330-218

Sample Order Code

HX.300-28	+	EMG	+	DD	/	G	/	OP
Luminaire		Emergency		Sensor		Finish		Diffuser
HX.300		Emergency = EMG		Dusk to Dawn = DD Microwave = MWD		Black = B Grey = G White = W		Opal = OP Clear = CL

HX.300-28+EMG+DD/G/OP = 28W 2D, Emergency, Dusk to Dawn, Grey, Opal Diffuser

