

Cirlux II, 15W LED

Coughtrie

Infrastructure

Social Housing

The new slimline Cirlux II is designed to provide a modern, low profile alternative to the traditional Cirlux 300 fitting. Ideal for both traditional and contemporary environments, the Cirlux II is a stylish and robust indoor and outdoor, wall or ceiling mounted luminaire designed to withstand vandalism and high impact.

Applications

- Corridors
- Stairwells
- Offices
- Public spaces
- Toilets
- Breakout areas and
- Spaces requiring additional protection



Features

- Die-cast aluminium base
- Opal UV stabilised fire retardant polycarbonate diffuser
- SA770 low smoke low toxicity silicone elastomer
- Slim profile that facilitates conduit entries at 180-degree intervals
- Predrilled dimples for back fixing
- IP65
- IK10++

Options

- Black, Grey or White
- Integrated 3hr emergency & optional self-test
- Motion sensors - on/off or on/dim (10%), daylight monitoring
- Security screws included for added vandal resistance *

*Supplied in a separate bag. Security screwdriver WS7115 required.

CE BS.EN60598-2-1 IP65

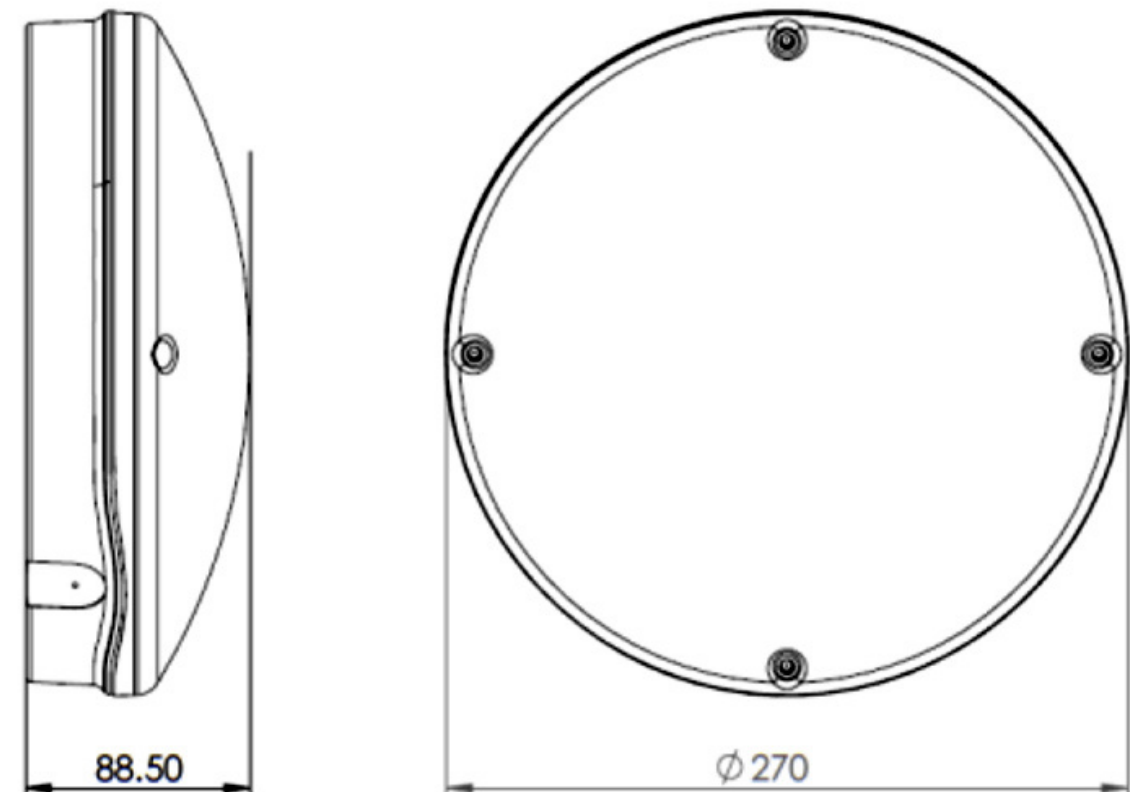
Cirlux II, 15W LED

Coughtrie

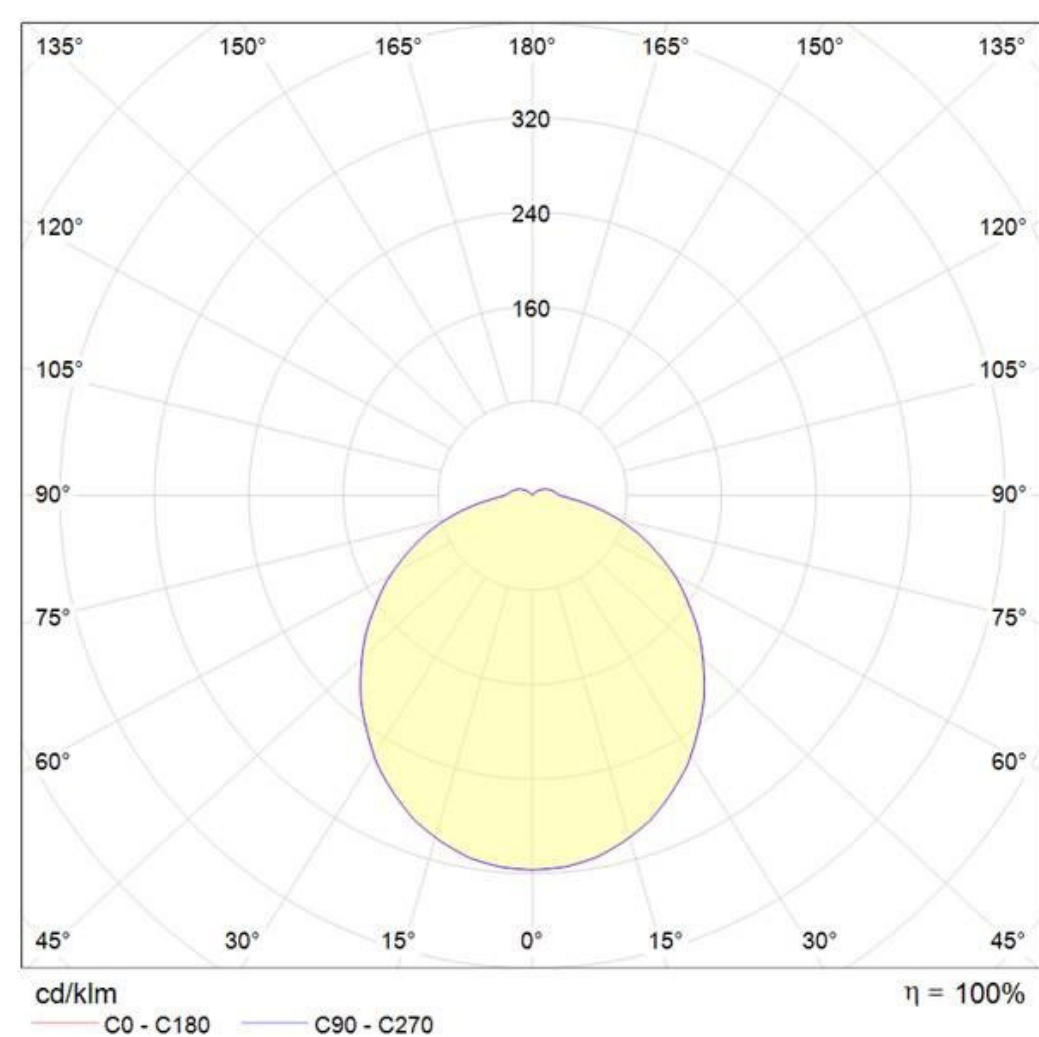
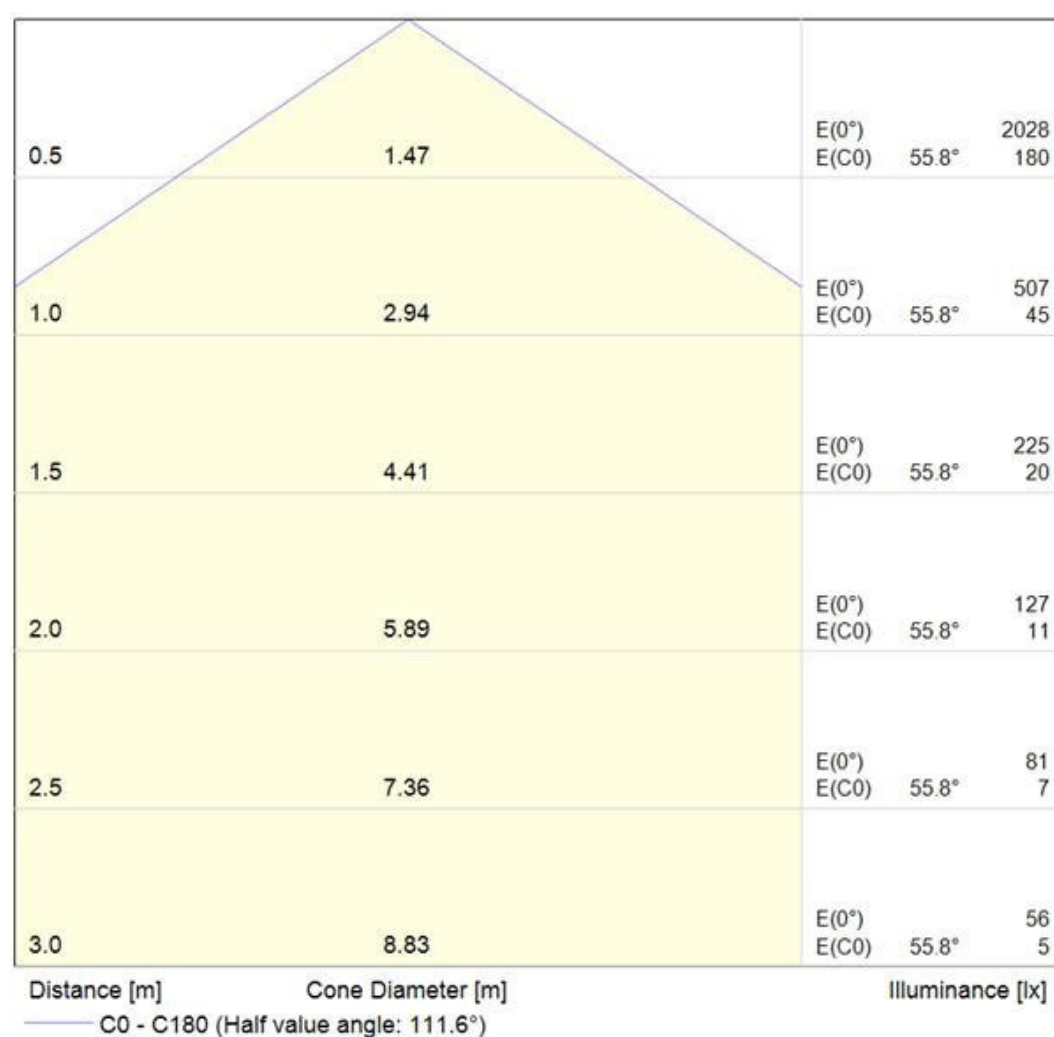
Technical Specifications

LUMINAIRE CHARACTERISTICS	
LEDs	Tridonic CLE G4
DRIVER	Constant current
WORKING TEMP	-25°C to 50°C
EMERGENCY WORKING TEMP	-5°C to 50°C
SYSTEM LUMENS	1645lm
EFFICACY	127lm/W
CRI	>80
CCT	4000K
LIFETIME	50,000hrs
IP RATING	IP65
IK RATING	IK10++
ELECTRICAL CHARACTERISTICS	
POWER	12.6W
VOLTAGE	34.1 - 39V
CURRENT	350mA

Dimensions (mm)



Photometric Data



Sample Order Code

CX.270-15WLED +	EMG	+	MWD	/	W	/	OP
Luminaire	Emergency		Sensor		Finish		Diffuser
CX.270	Emergency = EMG		Dusk to Dawn = DD Corridor Function = CF CF+Daylight Monitoring = CFDM Microwave = MWD		Black = B Grey = G White = W		Opal = OP

CX.270-15WLED+EMG+MWD/W/OP = 15WLED, Emergency, Microwave, White, Opal Diffuser

