

# Cirlux 21W LED

# Coughtrie

Infrastructure

Social Housing

Aimed at both internal and external general lighting applications in the public and private sector, this fitting suits both traditional and contemporary environments. This robust bulkhead epitomises design simplicity and sets the standard for cost-effective, multi-application luminaires. As part of the timeless Trio range, the Cirlux has been used in a multitude of settings for over 25 years.

## Applications

- Underpasses
- Car Parks
- Stairwells
- Railway Stations
- Schools
- Industrial
- Corridors
- General Social Housing installations



## Features

- Die-cast aluminium base
- Clear or opal UV stabilised fire retardant polycarbonate diffuser
- Diffuser secured to casing by stainless steel slotted screws with secret screw option
- SA770 low smoke low toxicity silicone elastomer
- IP65
- IK10++

## Options

- Black, Grey or White
- Integrated 3hr emergency & optional self-test
- Digital dimmable ballast
- Dusk to Dawn
- Security screws included for added vandal resistance \*

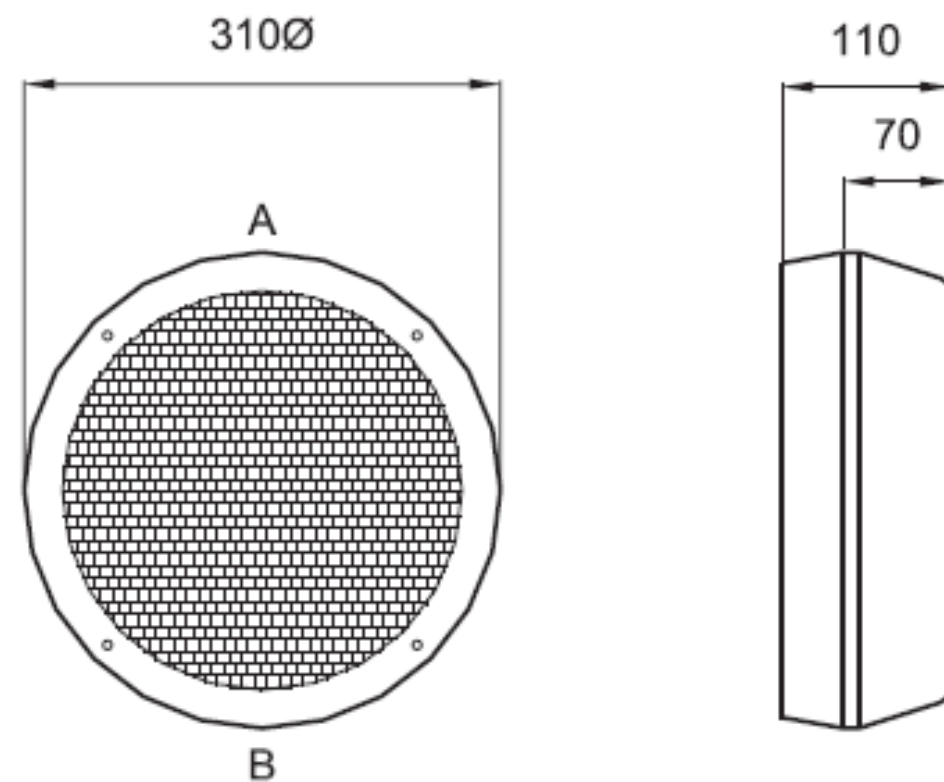
\*Supplied in a separate bag. Security screwdriver WS7115 required.

CE BS.EN60598-2-1 IP65

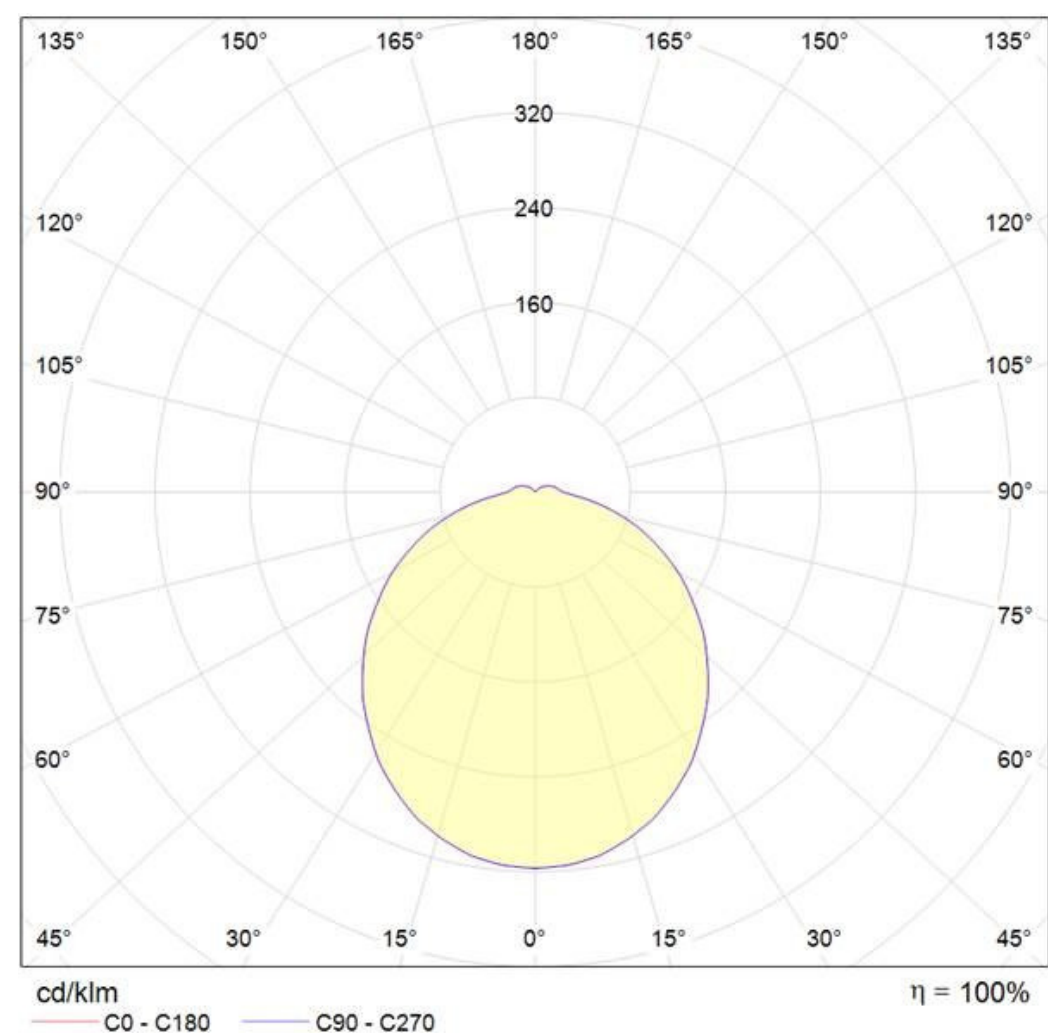
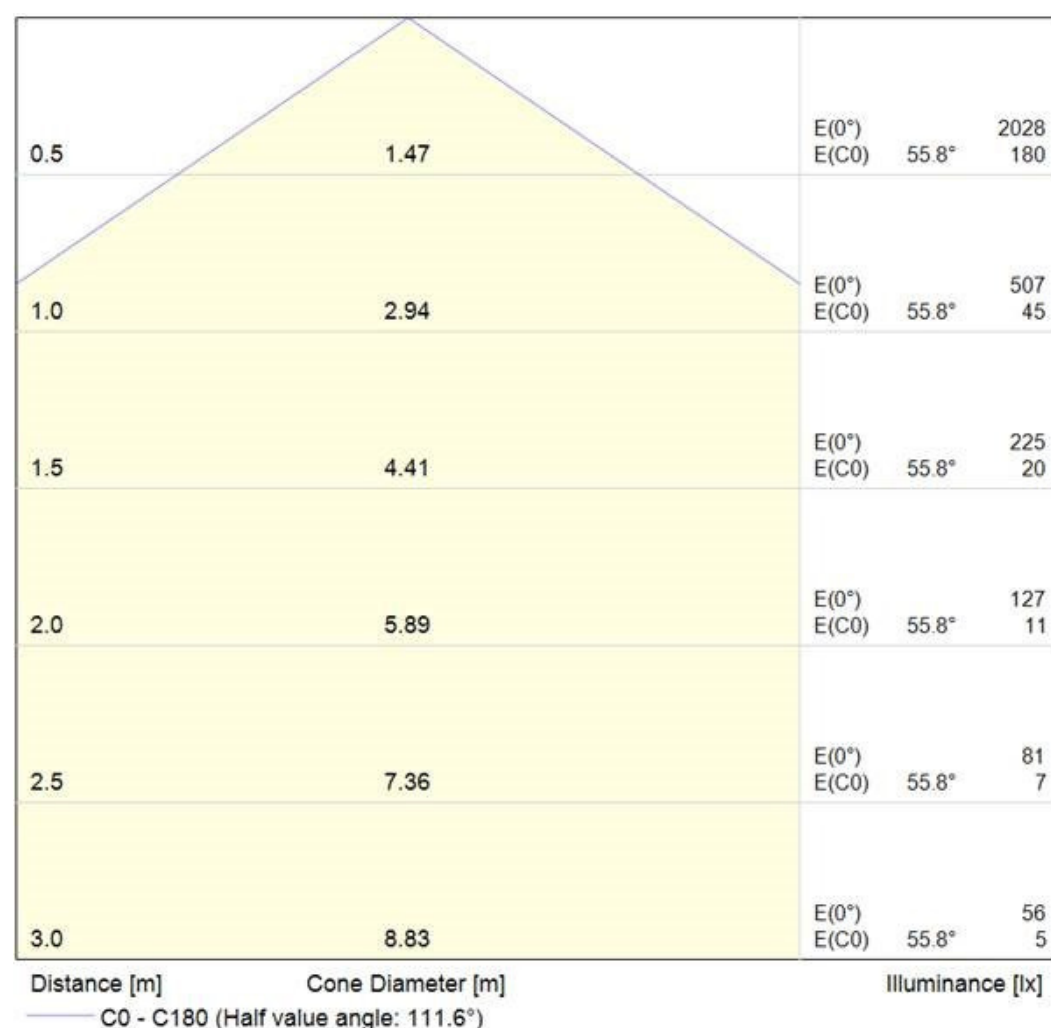
## Technical Specifications

LUMINAIRE CHARACTERISTICS	
LEDs	Tridonic CLE G4
DRIVER	Constant current
WORKING TEMP	-25°C to 50°C
EMERGENCY WORKING TEMP	-5°C to 50°C
SYSTEM LUMENS	1600lm
EFFICACY	77lm/W
CRI	>80
CCT	4000K
LIFETIME	50,000hrs
IP RATING	IP65
IK RATING	IK10++
ELECTRICAL CHARACTERISTICS	
POWER	20.8W
VOLTAGE	26.7 – 29.7V
CURRENT	700mA

### Dimensions (mm)



## Photometric Data



## Sample Order Code

CX.300-21LED + EMG + CF / W / OP

Luminaire	Emergency	Sensor	Finish	Diffuser
CX.300	Emergency = EMG	Dusk to Dawn = DD Corridor Function = CF CF+Daylight Monitoring = CFDM Microwave = MWD	Black = B Grey = G White = W	Opal = OP Clear = CL

CX.300-21LED+EMG+CF/W/OP = 21WLED, Emergency, Corridor Function, White, Opal Diffuser