

Cirlux 18W LED

Coughtrie

Infrastructure

Social Housing

Aimed at both internal and external general lighting applications in the public and private sector, this fitting suits both traditional and contemporary environments. This robust bulkhead epitomises design simplicity and sets the standard for cost-effective, multi-application luminaires. As part of the timeless Trio range, the Cirlux has been used in a multitude of settings for over 25 years.

Applications

- Underpasses
- Car Parks
- Stairwells
- Railway Stations
- Schools
- Industrial
- Corridors
- General Social Housing installations



Features

- Die-cast aluminium base
- Clear or opal UV stabilised fire retardant polycarbonate diffuser
- Diffuser secured to casing by stainless steel slotted screws with secret screw option
- SA770 low smoke low toxicity silicone elastomer
- IP65
- IK10++

Options

- Black, Grey or White
- Integrated 3hr emergency & optional self-test
- Digital dimmable ballast
- Dusk to Dawn
- Security screws included for added vandal resistance *

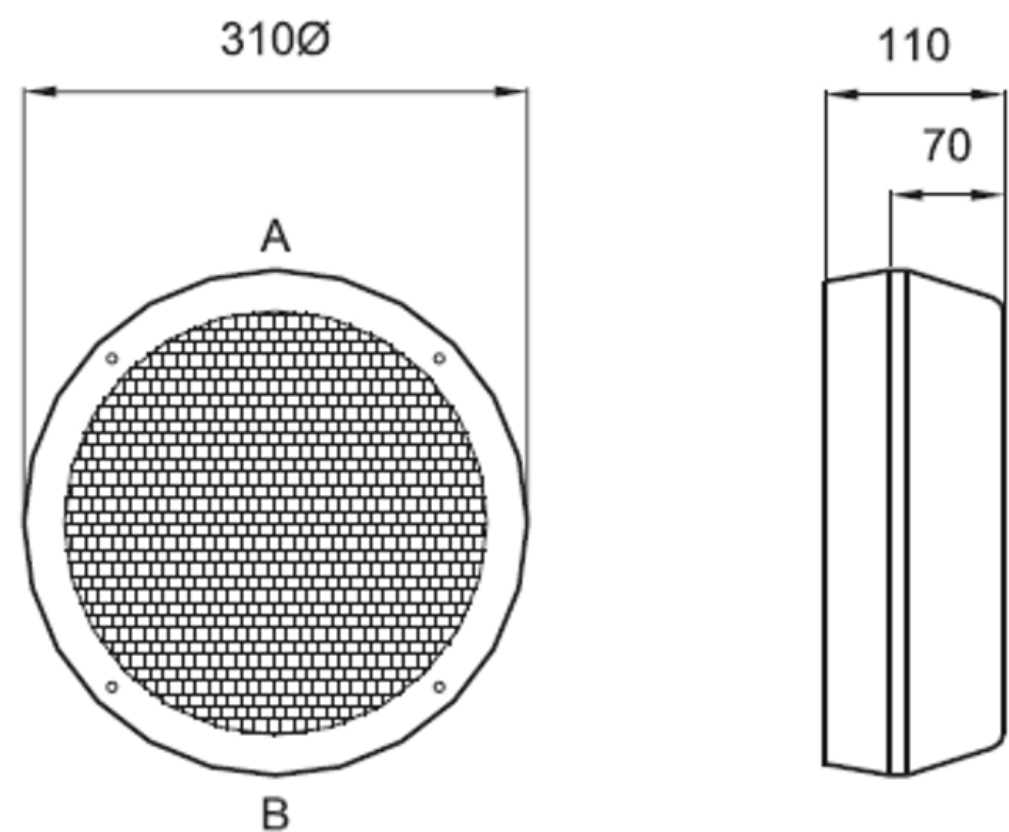
*Supplied in a separate bag. Security screwdriver WS7115 required.

CE BS.EN60598-2-1 IP65

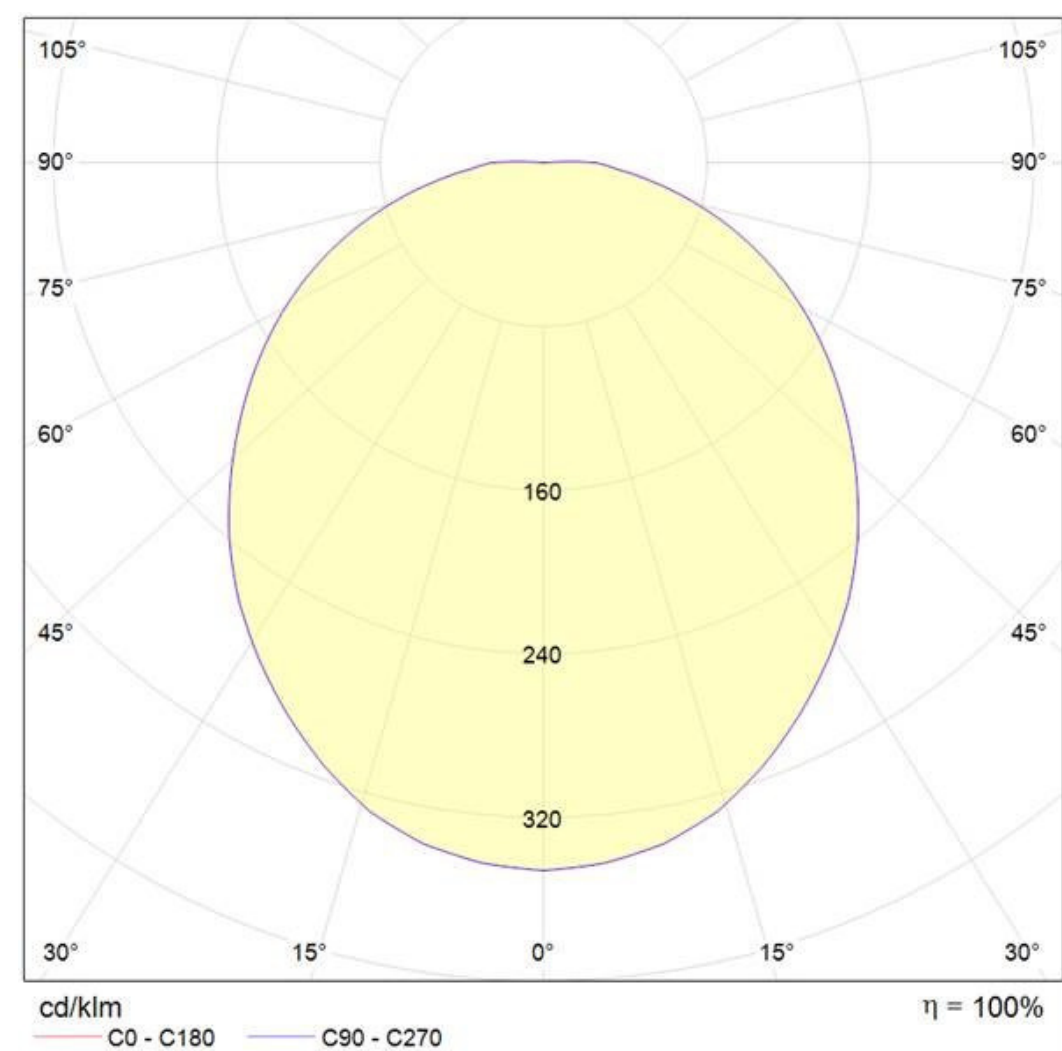
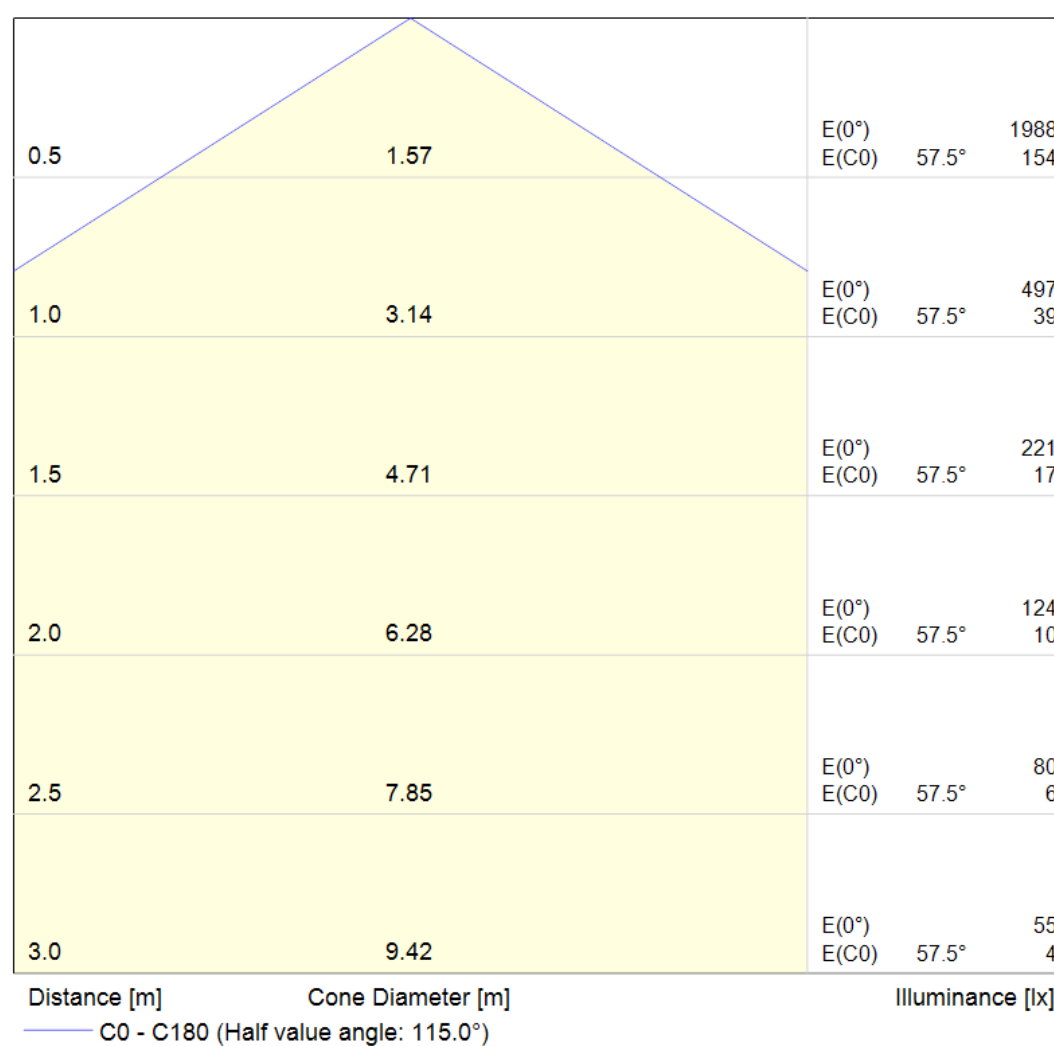
Technical Specifications

LUMINAIRE CHARACTERISTICS	
LEDs	Tridonic CLE G4
DRIVER	Constant current
WORKING TEMP	-25°C to 50°C
EMERGENCY WORKING TEMP	-5°C to 50°C
SYSTEM LUMENS	1630lm
EFFICACY	87lm/W
CRI	>80
CCT	4000K
LIFETIME	50,000hrs
IP RATING	IP65
IK RATING	IK10++
ELECTRICAL CHARACTERISTICS	
POWER	18.7W
VOLTAGE	35.4 – 40.3V
CURRENT	500mA

Dimensions (mm)



Photometric Data



Sample Order Code

CX.300-18LED	+	EMG	+	CF	/	W	/	OP
Luminaire		Emergency		Sensor		Finish		Diffuser
CX.300		Emergency = EMG		Dusk to Dawn = DD Corridor Function = CF CF+Daylight Monitoring = CFDM Microwave = MWD		Black = B Grey = G White = W		Opal = OP Clear = CL

CX.300-18LED+EMG+CF/W/OP = 18WLED, Emergency, Corridor Function, White, Opal Diffuser