

BH, Fluorescent

Coughtrie

Rail

Social Housing

General purpose luminaire for a wide range of applications where a robust bulkhead is required. LED options also available.

Applications

- Underpasses
- Car Parks
- Railway Stations
- Stairwells
- Schools
- Corridors
- General Social Housing installations
- Industrial



Features

- Die-cast aluminium base
- Clear UV stabilised fire retardant polycarbonate vandal resistant diffuser
- SA770 low smoke low toxicity silicone elastomer
- Slotted captive stainless steel screws, secret security screws option*
- IP65
- IK10++

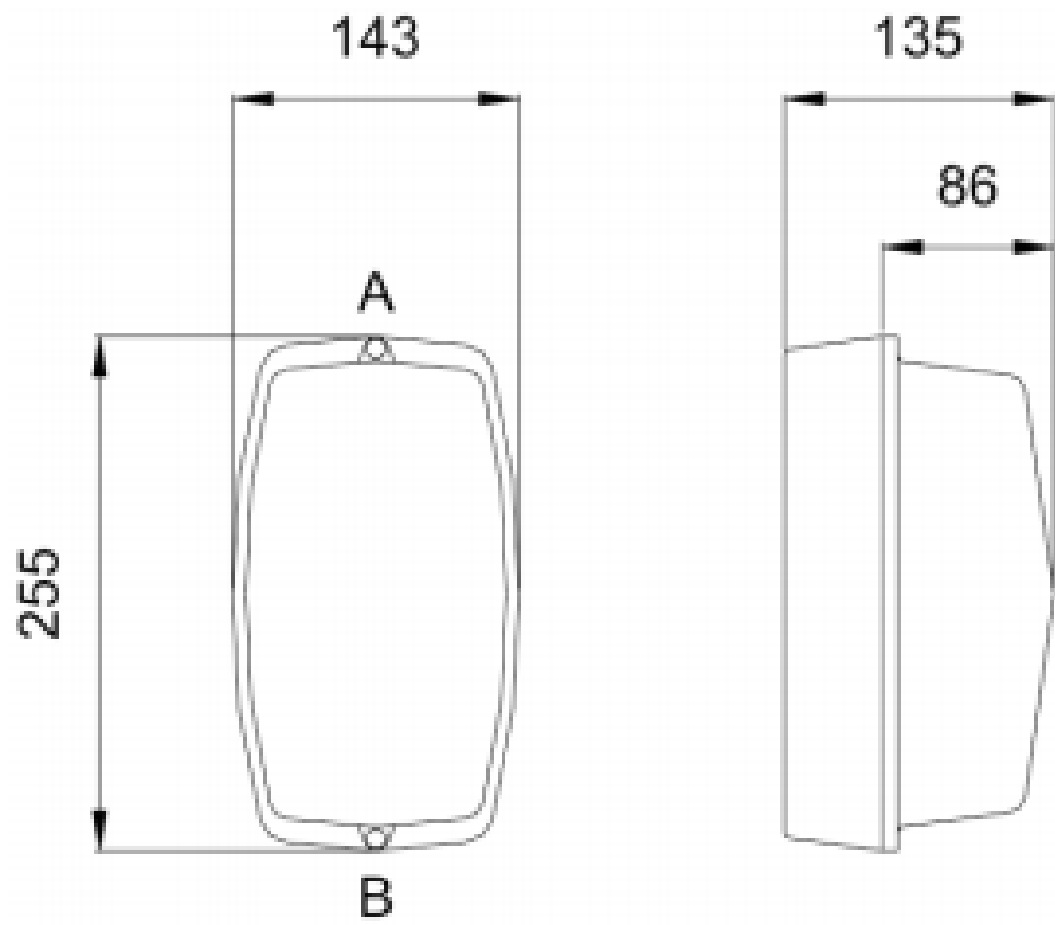
Options

- Black, Grey or White
- Integrated 3hr emergency
- Dusk to Dawn
- Microwave
- Security screws added for vandal resistance*

*Supplied in a separate bag. Security screwdriver WS7115 required.



Dimensions (mm)



Lamp Types

| | |
|-----------|--------|
| 100W | BH-10 |
| 1X13W PLC | BH-113 |
| 2X9W PL | BH-29P |

Sample Order Code

| | | | | | | | | |
|------------------|---|------------------|---|--------------------------------------|---|------------------------------------|---|-------------------------|
| BH-10 | + | EMG | + | MWD | / | G | / | CL |
| Luminaire | | Emergency | | Sensor | | Finish | | Diffuser |
| BH | | Emergency = EMG | | Dusk to Dawn = DD Microwave = MWD | | Black = B Grey = G White = W | | Clear = CL Opal = OP |

BH-10+EMG+MWD/G/CL = 100W, Emergency, Microwave, Grey, Clear Diffuser