

BD, Fluorescent

Coughtrie

Rail

Social Housing

General purpose luminaire for a wide range of applications where a robust bulkhead is required. LED options also available.

Applications

- Underpasses
- Car Parks
- Railway Stations
- Stairwells
- Schools
- Corridors
- General Social Housing installations
- Industrial



Features

- Die-cast aluminium base
- Opal UV stabilised fire retardant polycarbonate vandal resistant diffuser
- SA770 low smoke low toxicity silicone elastomer
- Slotted captive stainless steel screws, secret security screws option*
- IP65
- IK10++

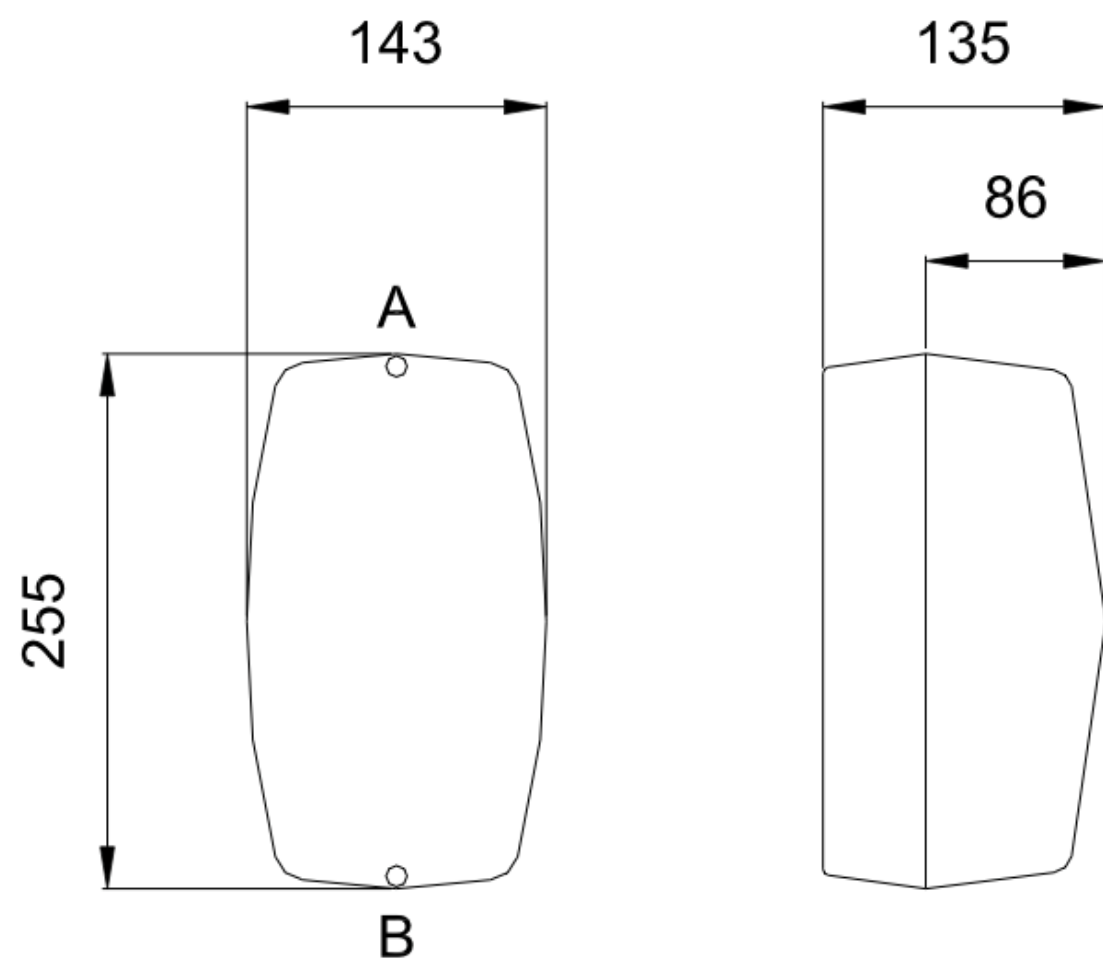
Options

- Black, Grey or White
- Integrated 3hr emergency
- Microwave
- Dusk to Dawn
- Security screws added for vandal resistance*

*Supplied in a separate bag. Security screwdriver WS7115 required.

CE BS.EN60598-2-1 IP65

Dimensions (mm)



Lamp Types

100W	BD-10
1X13W PLC	BD-113
1X9W PL	BD-19
2X13W PLC	BD-213
2X9W PL	BD-29S

Sample Order Code

BD-113	+	EMG	+	MWD	/	G	/	OP
Luminaire		Emergency		Sensor		Finish		Diffuser
BD		Emergency = EMG		Dusk to Dawn = DD Microwave = MWD		Black = B Grey = G White = W		Clear = CL Opal = OP

BD-113+EMG+MWD/G/OP = 1X13WPLC, Emergency, Microwave, Grey, Opal Diffuser