

BD 12W LED

Coughtrie

Rail

Social Housing

General purpose luminaire for a wide range of applications where a robust bulkhead is required. Compact fluorescent single and twin lamp options also available.

Applications

- Underpasses
- Car Parks
- Railway Stations
- Stairwells
- Schools
- Corridors
- General Social Housing installations
- Industrial



Features

- Die-cast aluminium base
- Opal UV stabilised fire retardant polycarbonate vandal resistant diffuser
- SA770 low smoke low toxicity silicone elastomer
- Slotted captive stainless steel screws, secret security screws option*
- IP65
- IK10++

Options

- Black, Grey or White
- Integrated 3hr emergency & optional self-test
- Digital dimmable ballast
- Dusk to Dawn
- Security screws added for vandal resistance*

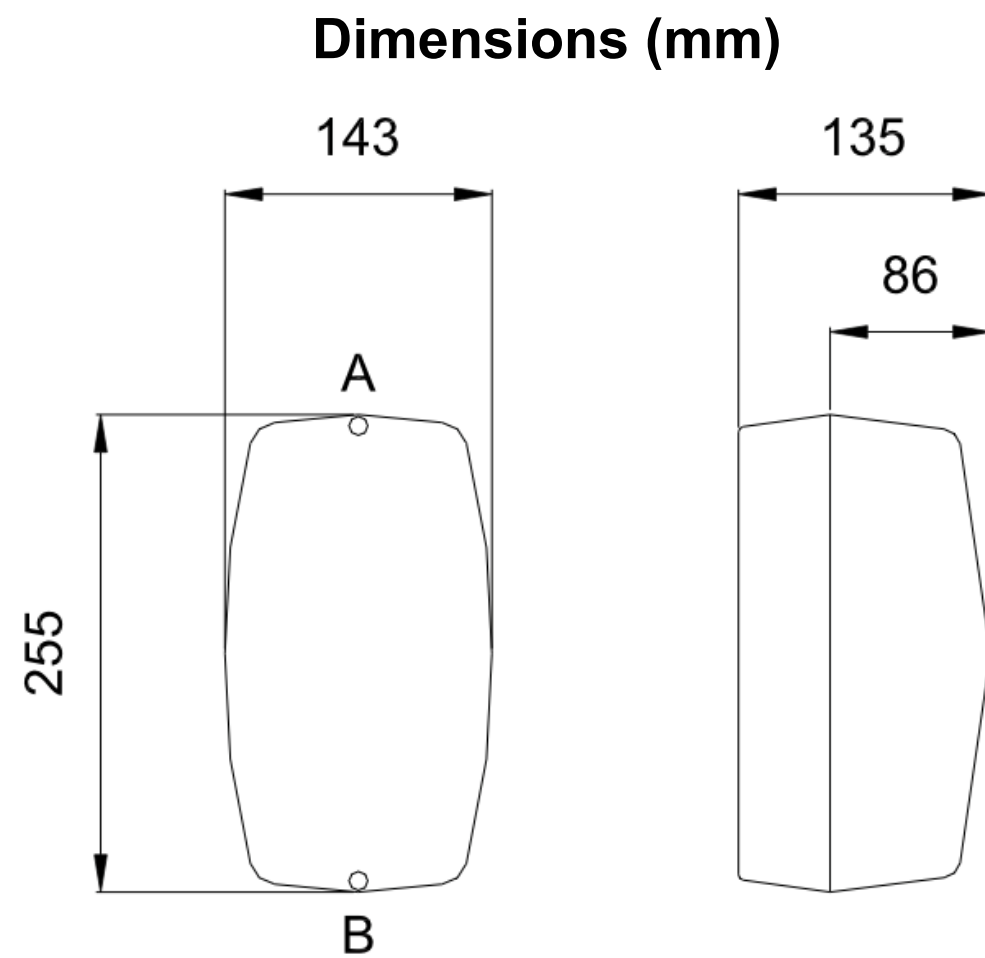
*Supplied in a separate bag. Security screwdriver WS7115 required.

CE BS.EN60598-2-1 IP65

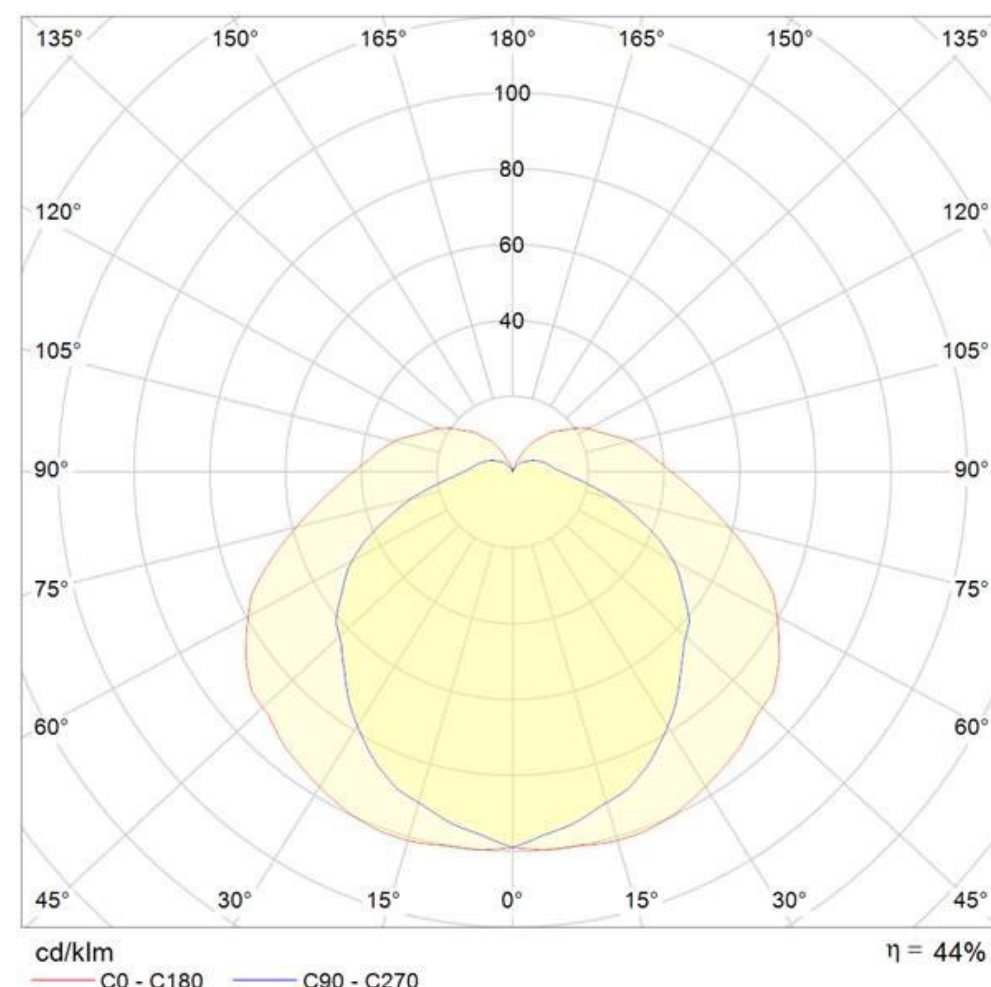
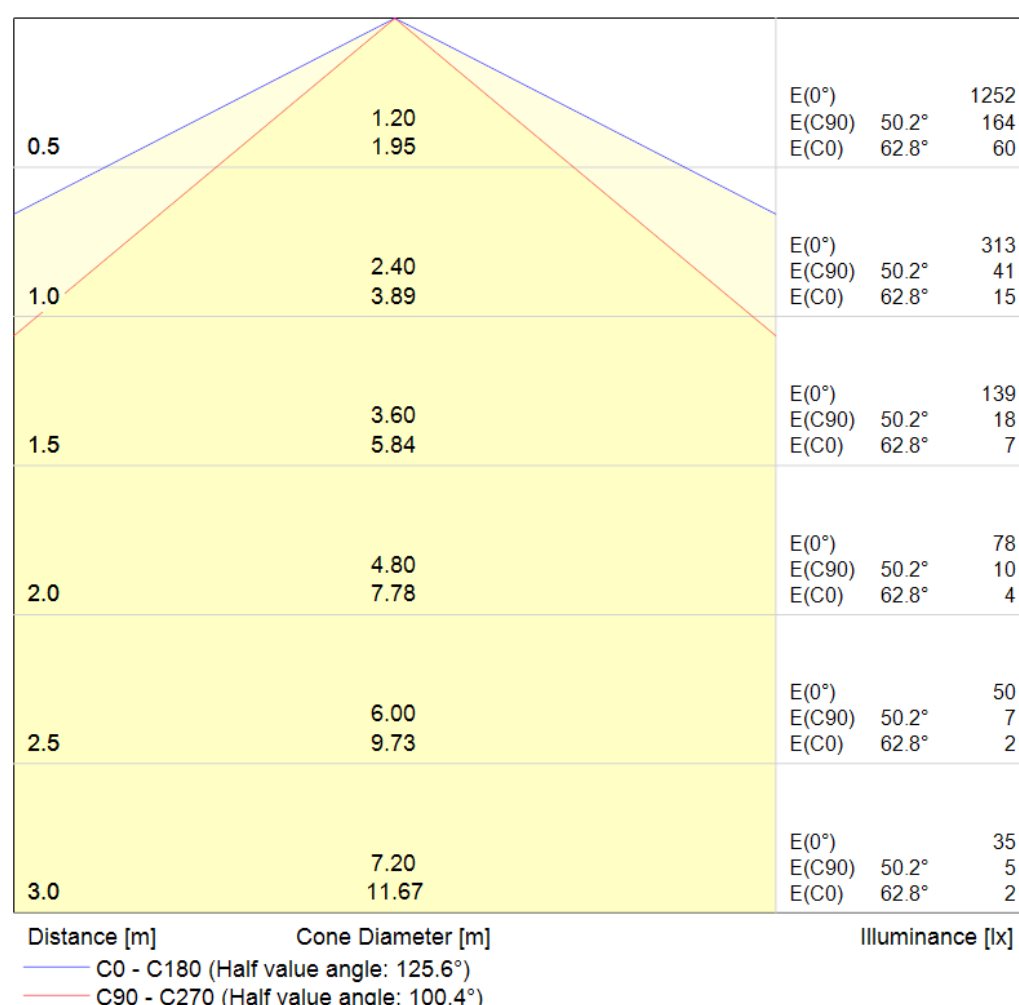
BD 12W LED

Technical Specifications

LUMINAIRE CHARACTERISTICS	
LEDs	Vossloh Schwabe G4
DRIVER	Constant current
WORKING TEMP	-25°C to 50°C
EMERGENCY WORKING TEMP	-5°C to 50°C
SYSTEM LUMENS	1050lm
EFFICACY	131lm/W
CRI	>80
CCT	4000K
LIFETIME	50,000hrs
IP RATING	IP65
IK RATING	IK10++
ELECTRICAL CHARACTERISTICS	
POWER	8W
VOLTAGE	22.6V
CURRENT	350mA



Photometric Data



Sample Order Code

BD-12LED	+	EMG	+	DD	/	B	/	OP
Luminaire		Emergency		Sensor		Finish		Diffuser
BD		Emergency = EMG		Dusk to Dawn = DD Corridor Function = CF CF+Daylight Monitoring = CFDM Microwave = MWD		Black = B Grey = G White = W		Clear = CL Opal = OP

BD-12LED+EMG+DD/B/OP = 12WLED, Emergency, Dusk to Dawn, Black, Opal Diffuser