

Azilux Square, Fluorescent

Coughtrie

Custodial

Infrastructure

Our square anti-ligature luminaire with smooth contours created by a double wall casing design. Ideal for cells, toilets and other custodial applications. Available with emergency, nightlight and microwave detector options.

Applications

- Cell Toilets and shower areas
- Stairwells
- Prison circulation areas
- Police stations
- Detention centres
- Schools
- Industrial
- Corridors



Features

- Die-cast aluminium base
- Clear or opal UV stabilised fire retardant polycarbonate diffuser
- SA770 low smoke low toxicity silicone elastomer
- IP65
- IK10++

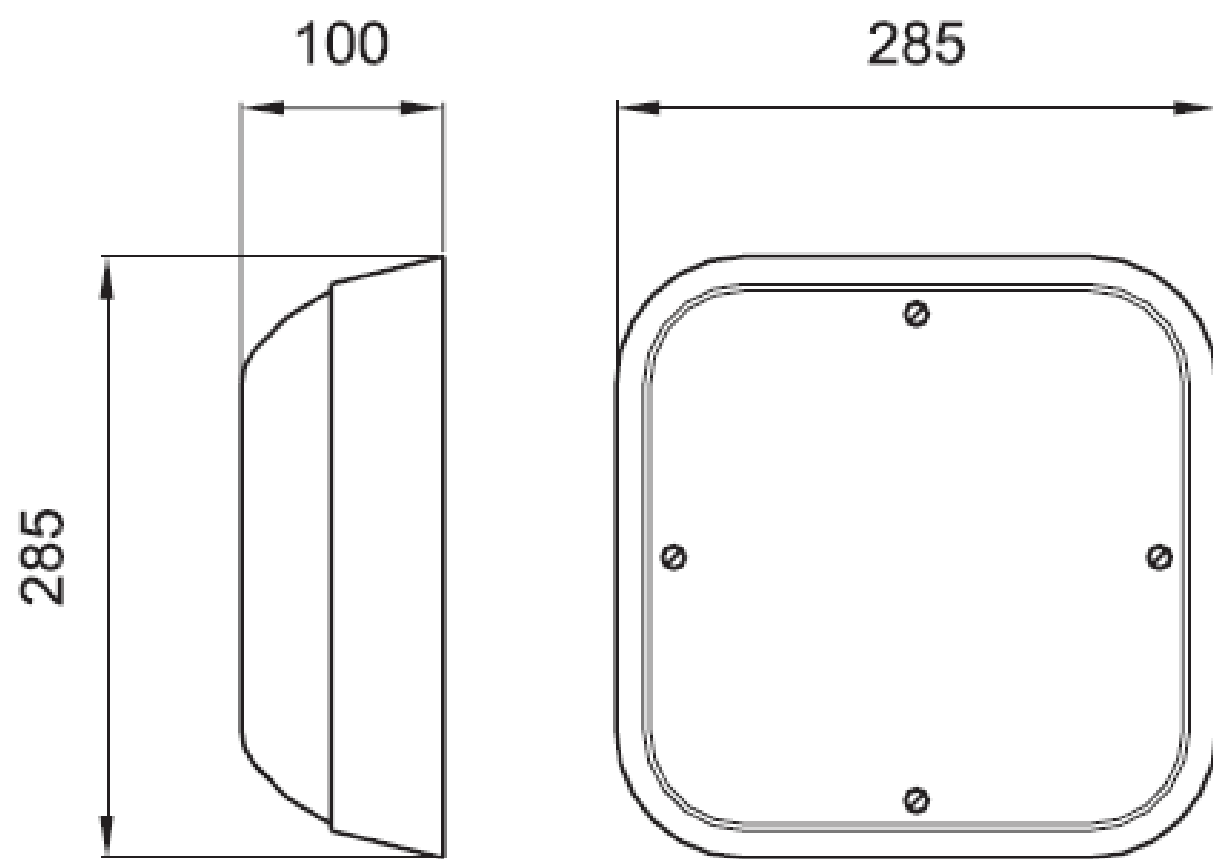
Options

- Black, Grey or White
- Integrated 3hr emergency
- Microwave
- Dusk to Dawn
- Security screws included for added vandal resistance *

*Supplied in a separate bag. Security screwdriver WS7115 required.

CE BS.EN60598-2-1 IP65

Dimensions (mm)



Lamp Types

16W 2D	AZQ.300-16
28W 2D	AZQ.300-28

Sample Order Code

AZQ.300-16	+	EMG	+	DD	/	W	/	OP
Luminaire		Emergency		Sensor		Finish		Diffuser
AZQ.300		Emergency = EMG		Dusk to Dawn = DD Microwave = MWD		Black = B Grey = G White = W		Opal = OP Clear = CL

AZQ.300-16+EMG+DD/W/OP = 16W2D, Emergency, Dusk to Dawn, White, Opal Diffuser

