

Azilux Circular 25W LED **Coughtrie**

Custodial

Infrastructure

Our circular anti-ligature design ideal for cells, toilets and a range of other custodial applications. Available with emergency, nightlight and microwave detector options.

Applications

- Cell Toilets and shower areas
- Stairwells
- Prison circulation areas
- Police stations
- Detention centres
- Schools
- Industrial
- Corridors



Features

- Die-cast aluminium base
- Prismatic opal or clear UV stabilised fire retardant polycarbonate diffuser
- SA770 low smoke low toxicity silicone elastomer
- IP65
- IK10++

Options

- Black, Grey or White
- Integrated 3hr emergency & optional self-test
- Microwave
- Digital dimmable ballast POA
- Nightlight
- Dusk to Dawn
- Security screws included for added vandal resistance *

*Supplied in a separate bag. Security screwdriver WS7115 required.

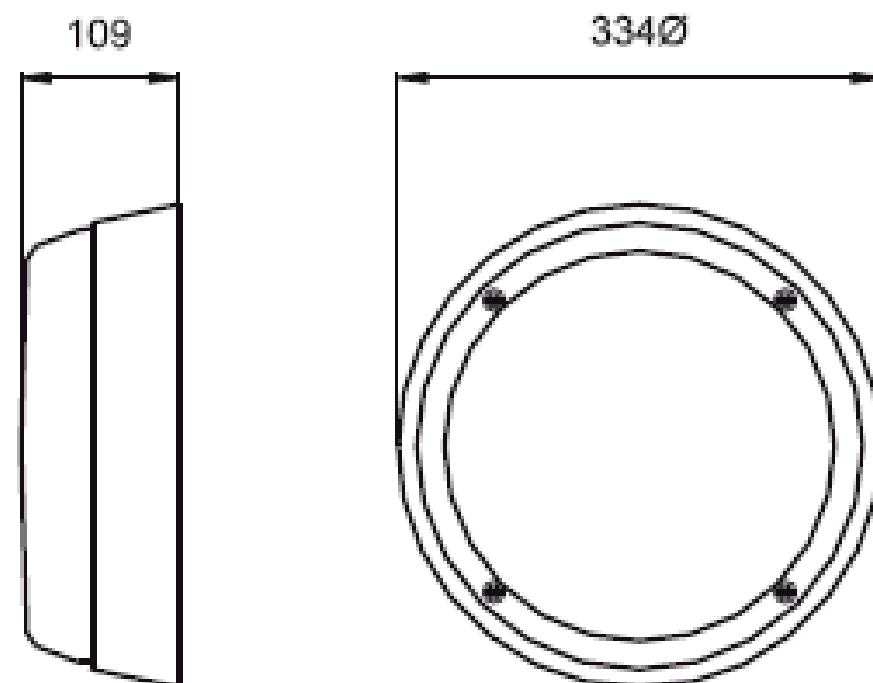
CE BS.EN60598-2-1 IP65

Azilux Circular 25W LED Coughtrie

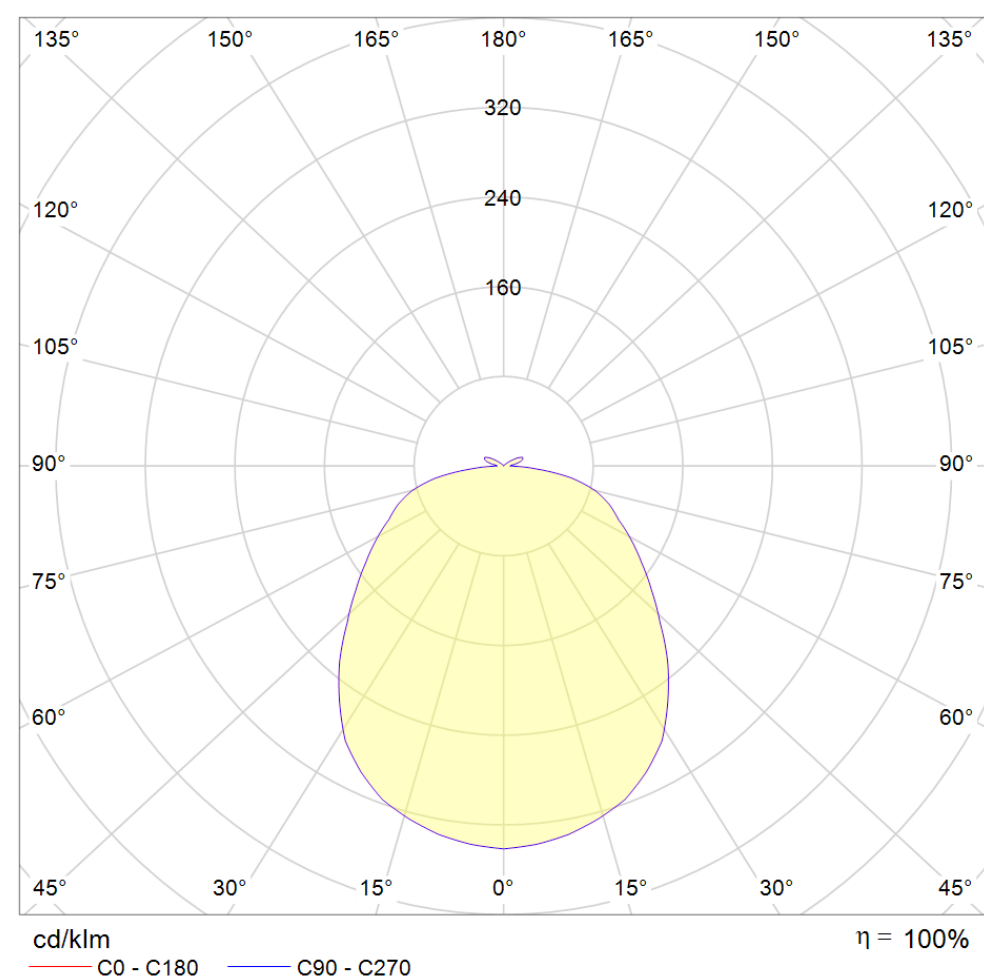
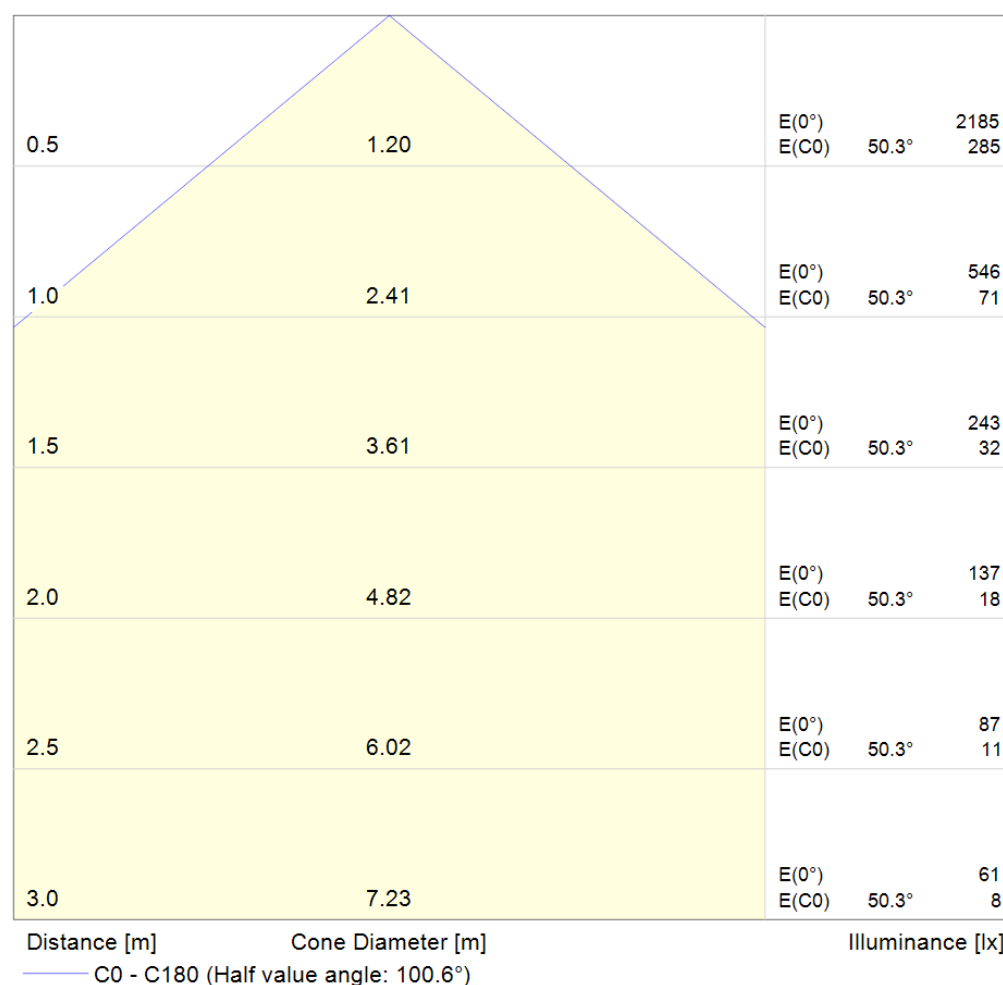
Technical Specifications

LUMINAIRE CHARACTERISTICS	
LEDs	Tridonic CLE G4
DRIVER	Constant current
WORKING TEMP	-25°C to 50°C
EMERGENCY WORKING TEMP	-5°C to 50°C
SYSTEM LUMENS	1600lm
EFFICACY	81.2lm/W
CRI	>80
CCT	4000K
LIFETIME	50,000hrs
IP RATING	IP65
IK RATING	IK10++
ELECTRICAL CHARACTERISTICS	
POWER	19.7W
VOLTAGE	26.7 – 29.7V
CURRENT	700mA

Dimensions (mm)



Photometric Data



Sample Order Code

AZC.330-25LED +	EMG	+	MWD	/	W	/	CL
Luminaire	Emergency		Sensor		Finish		Diffuser
AZC.330	Emergency = EMG		Dusk to Dawn = DD Corridor Function = CF CF+Daylight Monitoring = CFDM Microwave = MWD		Black = B Grey = G White = W		Opal = OP Clear = CL

AZC.330-25LED+EMG+MWD/W/CL = 25WLED, Emergency, Microwave, White, Clear Diffuser

